



GAS CONDENSING TECHNOLOGY

## Domestic Gas Boiler Guide

**WiFi inside**

**Best Buy**  
**Which?**  
Gas Boilers September 2019

**Which? Best Buy for the 3rd year running.**

- Best in class for Reliability
- Best in class for Engineer's Recommendation

**VIESSMANN**



**Vitodens 200 series**

from page 4

Gas fired condensing boilers and DHW storage boilers with 7-inch colour touchscreen control, energy cockpit, up to 1:17 modulation range and minimum output 1.9 kW



**Vitodens 100 series**

from page 8

Gas fired condensing boilers with compact dimensions, low weight and quiet operation, the Vitodens 100 series will integrate effortlessly into any living space



**Vitodens 050 series**

from page 14

Gas fired condensing boiler offering excellent heating and DHW convenience with a particularly advantageous price/performance ratio



**Installation accessories**

from page 16

Information on cylinders, including the Viessmann 4-pipe system, flue options and controls



**Viessmann Academy**

from page 28

See our range of courses available and how to book a place



**Contact us**

from page 30

Useful contact details for all departments



**Technical specification**

from page 32

Detailed boiler technical specifications

3 year comprehensive  
warranty as standard  
5 years if fitted by a Viessmann  
Trained Installer  
Option to increase up to 10 years\*



## VITODENS 200-W

Wall mounted gas fired condensing boiler.

The Vitodens 200-W is an intelligent energy centre, which meets the highest demands for a comfortable heat supply. With its modern, functional design as well as its plain matt surface it blends harmoniously into any living environment.

### Integrated WiFi interface:

#### Thermal comfort becomes digital

The integrated WiFi interface connects the gas condensing wall-mounted boiler to the internet on request - the basis for networking and digital services. The ViCare app makes it even simpler to operate: you have all the functions you need to control the heating system at your fingertips. In the case of a problem, the heating specialist is informed directly via the app and can quickly take remedial action.

### Energy cockpit: Easy adjustment and operation for increased efficiency

How easy is setting and operation? This is one of the most important criteria when choosing a new heating system. The Vitodens 200-W impresses with its exceptionally high operating comfort. It can be operated via smartphone, tablet or directly on

the large 7 inch colour touch display which is very simple and intuitive to operate. Plain text and graphic displays guide you through all the menu items with ease. And with the energy cockpit, your energy consumption is visible at a glance.

### MatriX-Plus burner:

#### The heart of your heating system

The new MatriX-Plus burner ranks above all others with its efficient operation as well as low operating costs, along with its low pollutant and noise emissions. The special stainless steel MatriX surface is not sensitive to high temperatures and thus provides for reliable performance and a long service life.

### Lambda Pro Plus: Automatic combustion control reduces costs

Automatic monitoring of combustion quality compensates for fluctuating gas qualities and prolongs the service life, extending the flue inspection interval to three years. It ensures year round efficiency and savings on maintenance costs.

### Stainless steel Inox-Radial: Efficient and durable

Stainless steel makes all the difference. The corrosion resistant Inox-Radial heat exchanger made of stainless steel is the heart of the Vitodens 200-W. It converts the energy used into heat with exceptional efficiency. Virtually loss-free, with a hard to surpass efficiency of 98 percent. All of this is combined with the safety of the exceptionally durable, high-quality stainless steel.

### Vitodens 200-W impresses

- Particularly simple, intuitive operation and integrated WiFi interface
- High operational reliability due to integrated Lambda Pro Plus combustion controller
- Greater efficiency and lower nitrogen oxides thanks to the new MatriX-Plus burner
- All consumption visible with the energy cockpit
- Proper operation always visible with the fluorescent Lightguide
- ViStart app: Commissioning in four simple steps (see page 25)

## Boilers

Part No.	Description
<b>System boilers</b>	
ZO18739	Vitodens 200-W 11 kW System boiler with 7" colour touchscreen and outdoor sensor
ZO18740	Vitodens 200-W 19 kW System boiler with 7" colour touchscreen and outdoor sensor
ZO18741	Vitodens 200-W 25 kW System boiler with 7" colour touchscreen and outdoor sensor
ZO18742	Vitodens 200-W 32 kW System boiler with 7" colour touchscreen and outdoor sensor
<b>One of the following fittings to be ordered separately</b>	
ZK04307	Pre-plumbing jig for surface mounting
ZK04669	Valves/fittings pack for surface mounting
ZK02164	Locking caps for cylinder connection (if DHW operation is not used)
ZK04671	DHW cylinder temperature sensor
<b>Combi boilers</b>	
ZO18743	Vitodens 200-W 30 kW Combi boiler with 7" colour touchscreen and outdoor sensor
ZO18744	Vitodens 200-W 35 kW Combi boiler with 7" colour touchscreen and outdoor sensor
<b>One of the following fittings to be ordered separately</b>	
ZK04919	Pre-plumbing jig for surface mounting
ZK04925	Valves/fittings pack for surface mounting
<b>Flues</b>	
7411961	Telescopic flue kit Ø 60/100 mm
7441467	Std 1 m horizontal flue kit Ø 60/100 mm (1 000 mm terminal, 87° bend)
7667547	Std 1.75m horizontal flue kit Ø 60/100 mm (1 .75 mm terminal, 87° bend)
7373230	SC vertical flue terminal Ø 60/100 mm
7373223	SC 0.5 m flue extension pipe Ø 60/100 mm
7373224	SC 1 m flue extension pipe Ø 60/100 mm
7373225	SC 1.95 m flue extension pipe Ø 60/100 mm
7667546	SC 2.95m flue extension pipe Ø 60/100 c/w 3 sets wall bracket
7373226	SC 87° flue elbow Ø 60/100 mm
7373227	SC 45° flue elbow Ø 60/100 mm (pair)
7176762	SC flue mounting clip Ø 100 mm
7337276	Terminal guard
7373238	Plume management kit
7373266	Flue bend 45° Ø 60 mm (pair)
7373267	Flue bend 87° Ø 60 mm
7373268	Plume kit 1 m flue extension Ø 60 mm
7246572	Fixing clamps - 60 mm
7452499	Roof tile Ø 125 black (for 60/100 mm flue system)
7452500	Roof tile Ø 125 red (for 60/100 mm flue system)
7426187	Flat Roof Collar Alu Ø 100/125 Height 250
ZK00028	Chimney flue kit 60/100 - 12.5 m / room sealed - for longer lengths please check as may need to upgrade to Ø 80/125 mm (ZK00030)
ZK00029	Chimney flue kit Ø 60/100 mm - 12.5 m / open flued (For longer flue lengths upgrade to Ø 80/125 mm ZK00031)
7590109	Open flued water protection cap
7373240	Flue adaptor 60/100 to 80/125 mm
<b>Controls</b>	
7141709	Vitotrol 100 Room thermostat. External cabled
Z007692	Vitotrol 100 UTDB RF wireless programmable room thermostat - 7 day, single channel
ZO17415	Vitotrol 200-E hardwired remote control unit (PlusBus) - max two Vitotrol per boiler
7438537	Room temperature sensor - to supplement Vitotrol 200-E
<b>Other accessories</b>	
ZK04304	Sub-mounting kit with mixer for system boiler
ZK04928	Sub-mounting kit with mixer for combi boiler
7425493	Contact temperature limiter for underfloor heating systems
ZK04310	Valve/fittings cover for 450 mm wide boiler
ZK04032	Temperature sensor for low loss header
ZO17409	EM-MX mixer extension for mixer mounting
ZO17410	EM-M1 mixer extension kit - wall mounted
ZO17414	EM-MX mixer extension for divicon
ZO17411	EM-P1 pump extension for DHW secondary pump, or pump without mixer
ZO17413	EM-S1 solar module extension
ZO17412	EM-EA1 extension
ZK00539	DHW cylinder sensor with retainer for Vitocell unvented cylinders (G3 compliant)
7574319	Cylinder control box (System boiler only required for third party DHW cylinder)
7369810	Condensate pump for low level boiler installation
ZK02193	CO Detector w Switch off
7725667	Tool kit
7822883	Ionisation current test adaptor
7373005	Plate heat exchanger flushing system



Weather compensation control features a 7" colour touchscreen with energy cockpit



200-W showing components



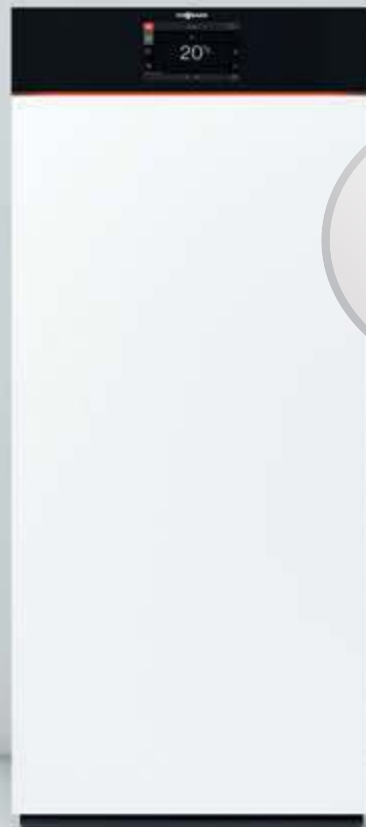
\* Viessmann Trained Installers can offer their customers an extended warranty option up to 10 years.

**10 Year Warranty**  
on all stainless steel heat exchangers for gas condensing boilers up to 150 kW

Gas condensing  
technology

Vitodens 222-F DHW Storage  
1.9 to 35 kW

3 year comprehensive  
warranty as standard  
5 years if fitted by a Viessmann  
Trained Installer  
Option to increase up to 10 years\*



## VITODENS 222-F

This storage combined floor standing condensing boiler is designed specifically for modernising heating systems and replacing older gas fired boilers and DHW cylinders

Vitodens 222-F is the intelligent combination of efficient gas condensing technology and high hot water convenience - easy to operate, durable and digital. The modern energy centre fulfils the highest demands of an efficient heat supply. Plus, with its 100 litre primary cylinder the Vitodens 222-F DHW cylinder ensures high hot water comfort in one compact unit.

### Integrated WiFi interface:

#### Thermal comfort becomes digital

The integrated WiFi interface connects the gas condensing boiler directly with the internet allowing networking and digital services to be set up if desired. The ViCare app makes the operation even more comfortable. With this you have all the functions of your heating system under control at your fingertips. In case of emergency, the installer will be directly informed via the service app and can quickly remedy the situation.

### Energy cockpit: Easy adjustment and operation for increased efficiency

How easy is setting and operation? This is one of the most important criteria when choosing a new heating system. The Vitodens 222-F impresses

with its exceptionally high operating comfort. The condensing boiler can be operated via smartphone, tablet or directly on the large 7 inch colour touch display which is very simple and intuitive to operate. Plain text and graphic displays guide you through all the menu items with ease. And with the energy cockpit, your energy consumption is visible at a glance.

### MatriX-Plus burner:

#### The heart of your heating system

The new MatriX-Plus burner ranks above all others for efficient operation as well as low operating costs, pollutant and noise emissions. The special stainless steel MatriX surface is not sensitive to high temperatures and thus provides for reliable performance and a long service life.

### Lambda Pro Plus: Automatic

#### Combustion control reduces costs

Automatic monitoring of combustion quality compensates for fluctuating gas qualities and prolongs the service life, extending the flue inspection interval to three years. It ensures year round efficiency and savings on maintenance costs.

### Stainless steel Inox-Radial:

#### Efficient and durable

Stainless steel makes all the difference. The corrosion resistant Inox-Radial heat exchanger made of stainless steel is the heart of the Vitodens 222-F. It converts the energy used into heat with exceptional efficiency. Virtually loss-free, with a hard to surpass efficiency of 98 percent. All of this is combined with the safety of the exceptionally durable, high-quality stainless steel.

### Vitodens 222-F impresses

- Particularly simple, intuitive operation and integrated WiFi interface
- High hot water comfort in one compact unit condensing boiler with 100 litre primary cylinder
- High operational reliability due to integrated Lambda Pro Plus combustion controller
- Greater efficiency and lower nitrogen oxides thanks to the new MatriX-Plus burner
- All consumption visible with the energy cockpit
- Proper operation always visible with the fluorescent Lightguide
- ViStart app: Commissioning in four simple steps (see page 25)

## Boilers

Part No.	Description
ZO18719	Vitodens 222-F 19 kW Storage combi with 7" colour touchscreen and outdoor sensor
ZO18720	Vitodens 222-F 25 kW Storage combi with 7" colour touchscreen and outdoor sensor
ZO18721	Vitodens 222-F 32 kW Storage combi with 7" colour touchscreen and outdoor sensor
<b>One of the following fittings to be ordered separately</b>	
ZK04311	Standard top connection set
ZK04312	Standard RH or LH side connection set
<b>Flues</b>	
7441467	Std 1 m horizontal flue kit Ø 60/100 mm (1 000 mm terminal, 87° bend)
7667547	Std 1.75m horizontal flue kit Ø 60/100 mm (1 .75 mm terminal, 87° bend)
7373230	SC vertical flue terminal Ø 60/100 mm
7373223	SC 0.5 m flue extension pipe Ø 60/100 mm
7373224	SC 1 m flue extension pipe Ø 60/100 mm
7373225	SC 1.95 m flue extension pipe Ø 60/100 mm
7667546	SC 2.95m flue extension pipe Ø 60/100 c/w 3 sets wall bracket
7373226	SC 87° flue elbow Ø 60/100 mm
7373227	SC 45° flue elbow Ø 60/100 mm (pair)
7176762	SC flue mounting clip Ø 100 mm
7337276	Terminal guard
7373238	Plume management kit
7373266	Flue bend 45° Ø 60 mm (pair)
7373267	Flue bend 87° Ø 60 mm
7373268	Plume kit 1 m flue extension Ø 60 mm
7246572	Fixing clamps - 60 mm
7452499	Roof tile Ø 125 black (for 60/100 mm flue system)
7452500	Roof tile Ø 125 red (for 60/100 mm flue system)
7426187	Flat Roof Collar Alu Ø 100/125 Height 250
ZK00028	Chimney flue kit 60/100 - 12.5 m / room sealed - for longer lengths please check as may need to upgrade to Ø 80/125 mm (ZK00030)
ZK00029	Chimney flue kit Ø 60/100 mm - 12.5 m / open flued (For longer flue lengths upgrade to Ø 80/125 mm ZK00031)
7590109	Open flued water protection cap
7373240	Flue adaptor 60/100 to 80/125 mm
<b>Controls</b>	
7141709	Vitotrol 100 Room thermostat. External cabled
Z007692	Vitotrol 100 UTDB RF wireless programmable room thermostat - 7 day, single channel
ZO17415	Vitotrol 200-E hardwired remote control unit (PlusBus) - max two Vitotrol per boiler
7438537	Room temperature sensor - to supplement Vitotrol 200-E
<b>Other accessories</b>	
ZK04324	Top-mounting kit with mixer
7425493	Contact temperature limiter for underfloor heating systems
ZO17409	EM-MX mixer extension for mixer mounting
ZO17410	EM-M1 mixer extension kit - wall mounted
ZO17414	EM-MX mixer extension for divicon
ZO17411	EM-P1 pump extension for DHW secondary pump, or pump without mixer
ZO17413	EM-S1 solar module extension
ZO17412	EM-EA1 extension
ZK04314	DHW secondary pump connection kit
7369810	Condensate pump for low level boiler installation
ZK02193	CO Detector w Switch off
7725667	Tool kit
7822883	Ionisation current test adaptor
7373005	Plate heat exchanger flushing system



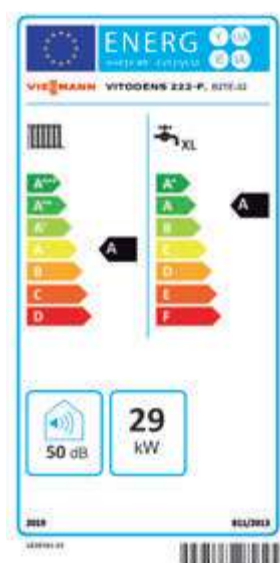
Weather compensation control features a 7" colour touchscreen with energy cockpit



Can fill a standard bath in just 8 minutes, whilst also supplying a sink or washbasin simultaneously.



Vitodens 222-F with enameled DHW storage

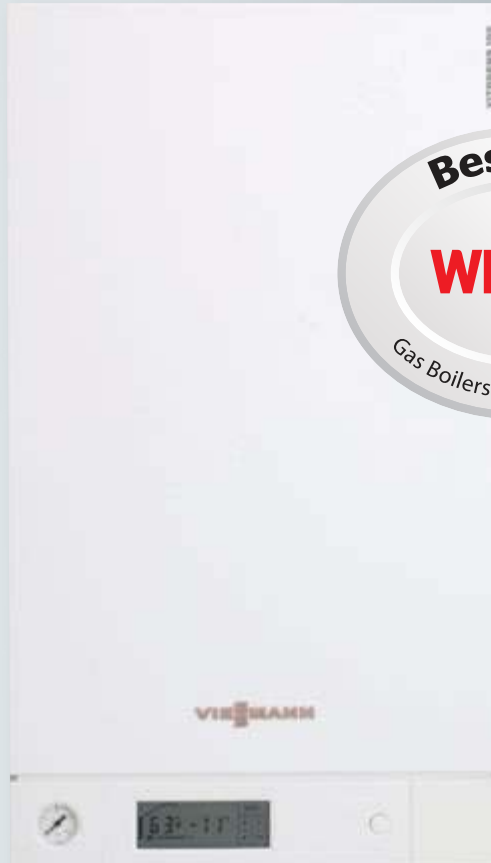


\* Viessmann Trained Installers can offer their customers an extended warranty option up to 10 years.

**10 Year Warranty**  
on all stainless steel heat exchangers for gas condensing boilers up to 150 kW



5 year comprehensive  
warranty as standard  
Option to increase up to 10 years\*



## VITODENS 100-W COMBI AND SYSTEM

With its compact dimensions, low weight and quiet operation, the Vitodens 100-W will integrate effortlessly into any living space.

### Take advantage of these benefits

- SEDBUK 2009 seasonal efficiency 89.5%
- Ideal as a replacement for older appliances due to low installed height and installation space for adaptation to existing systems
- Low operating noise through extended modulation ratio: up to 1:6
- Modulating stainless steel cylinder burner
- User friendly control via backlit LCD touchscreen (option for control via room thermostats)
- Straightforward access from the front, so no need to leave space at side for maintenance
- Also approved for multiple connections to stacks in multi storey buildings
- Combined PRV and condensate connection, for fast and simple installation

With their compact dimensions, low weight and quiet operation, the attractively priced Vitodens 100-W gas condensing boilers will integrate effortlessly into any living space. The modulating ratio over the entire output range is up to 1:6. This high ratio makes these

boilers particularly suitable for use in small apartments and well insulated buildings. The user benefits from fewer appliance start-ups and therefore less operating noise. Because a lower level of stress is placed upon the appliance, the service life of components is consequently extended.

### Stainless steel heat exchanger

As is the case with all Viessmann gas condensing boilers, the Vitodens 100-W is equipped with stainless steel Inox-Radial heat exchangers. This technology brings with it an extremely high efficiency rate of 98 percent and exceptionally reliable and efficient operation during its long service life. Viessmann guarantees the Inox-Radial heat exchanger for ten years against leaks resulting from corrosion.

### The touchscreen improves user friendliness

The Vitodens 100-W wall mounted gas condensing boilers are controlled by the new, backlit LCD touchscreen, which makes it easy to use and read in dark environments.

### Viessmann 4-pipe system

Viessmann Vitodens system boilers up to 35 kW installed together with a Vitocell 200 or 300 unvented cylinder are the perfect combination to meet G3 building regulations without the need for an energy cut-off valve and cylinder overheat thermostat; these are integrated into the boiler (see page 16).

\* Viessmann Trained Installers can offer their customers an extended warranty option up to 10 years.





## Boilers

Part No.	Description
<b>Combi boilers</b>	
B1KC023	Vitodens 100-W 26 kW Combi boiler
B1KC024	Vitodens 100-W 30 kW Combi boiler
B1KC025	Vitodens 100-W 35 kW Combi boiler
<b>System boilers</b>	
B1HC028	Vitodens 100-W 19 kW System boiler
B1HC029	Vitodens 100-W 26 kW System boiler
B1HC030	Vitodens 100-W 30 kW System boiler
B1HC031	Vitodens 100-W 35 kW System boiler
<b>Flues</b>	
7411961	Telescopic flue kit Ø 60/100 mm
7441467	Std 1 m horizontal flue kit Ø 60/100 mm (1 000 mm terminal, 87° bend)
7667547	Std 1.75m horizontal flue kit Ø 60/100 mm (1 .75 mm terminal, 87° bend)
7373230	SC vertical flue terminal Ø 60/100 mm
7373223	SC 0.5 m flue extension pipe Ø 60/100 mm
7373224	SC 1 m flue extension pipe Ø 60/100 mm
7373225	SC 1.95 m flue extension pipe Ø 60/100 mm
7667546	SC 2.95m flue extension pipe Ø 60/100 c/w 3 sets wall bracket
7373226	SC 87° flue elbow Ø 60/100 mm
7373227	SC 45° flue elbow Ø 60/100 mm (pair)
7176762	SC flue mounting clip Ø 100 mm
7337276	Terminal guard
7373238	Plume management kit
7373266	Flue bend 45° Ø 60 mm (pair)
7373267	Flue bend 87° Ø 60 mm
7373268	Plume kit 1 m flue extension Ø 60 mm
7246572	Fixing clamps - 60 mm
7452499	Roof tile Ø 125 black (for 60/100 mm flue system)
7452500	Roof tile Ø 125 red (for 60/100 mm flue system)
7426187	Flat Roof Collar Alu Ø 100/125 Height 250
ZK00030	Chimney flue kit 80/125 - 12.5 m / room sealed
ZK00031	Chimney flue kit Ø 80/125 mm - 12.5 m / open flued
7590109	Open flued water protection cap
7373240	Flue adaptor 60/100 to 80/125 mm
<b>Controls</b>	
7511618	Vitotrol 100 OpenTherm programmable room controller, 7 day, single channel (load compensation) External cabled
Z013877	Mixer extension kit without Vitotrol 100 Open Therm (OT)
Z013919	Mixer extension kit with one Vitotrol 100 Open Therm (OT)
Z013920	Mixer extension kit with two Vitotrol 100 Open Therm (OT)
7141709	Vitotrol 100 Room thermostat. External cabled
7170149	Vitotrol 100 UTA programmable room thermostat 24h analogue External cabled
7522678	Analogue plug in time clock for Vitodens 100-W WB1C/B1HA/B1KA/B1HC/B1KC/B1LD
7454521	Vitotrol 100 UTA RF 1 channel wireless for Vitodens 100-W WB1C/B1HA/B1KA/B1HC/B1KC/B1LD
7537234	Vitotrol 100 UTDB RF2 wireless for Vitodens 100-W WB1C/B1HA/B1KA/B1HC/B1KC/B1LD
Z007691	Vitotrol 100 UTDB programmable room thermostat - 7 day, single channel External cabled
Z007692	Vitotrol 100 UTDB RF wireless programmable room thermostat - 7 day, single channel
ZK02485	Outside Temperature Sensor for Weather Compensated Operation
ZK04327	Vitoconnect OT2
7725673	tado° Smart thermostat starter kit (v3+) VI ML
7788027	tado° Extension Kit hard wired - required for wireless connection or KM BUS
7788024	tado° Smart thermostat - for additional heating zones inc under floor heating
7726289	tado° Smart radiator thermostat horizontal
7726290	tado° Smart radiator thermostat vertical
<b>Other accessories</b>	
7842497	LPG conversion kit for Vitodens 100-W 19/26 kW
7842498	LPG conversion kit for Vitodens 100-W 30/35 kW
ZK00539	DHW cylinder sensor with retainer for Vitocell unvented cylinders (G3 compliant)
7574319	Cylinder control box (System boiler)
7474189	Stand off frame for Vitodens 100-W WB1C onwards Combi/System
7476447	Pre-plumbing jig Combi boiler for Vitodens 100-W WB1C onwards- excl filling loop
7476448	Pre-plumbing jig System boiler for Vitodens 100-W WB1C onwards- excl filling loop
7835443	Valves fittings cover for V100 WB1C onwards
Z010820	Sub mounting mixer kit for Vitodens 100-W WB1C onwards
7369810	Condensate pump for low level boiler installation
Z015500	CO Detector c/w interface m relay output
7725667	Tool kit
7822883	Ionisation current test adaptor
7373005	Plate heat exchanger flushing system
7459591	Tundish set for combined condensate & PRV drain

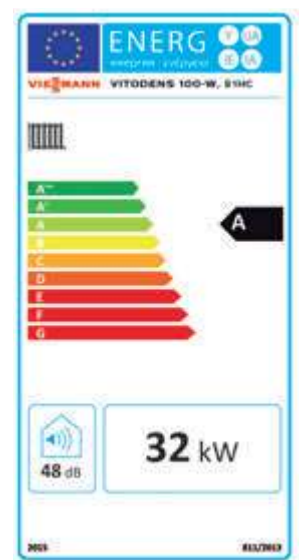


### The touchscreen improves user friendliness

The Vitodens 100-W wall mounted gas condensing boilers are controlled by the new, backlit LCD touchscreen, which makes it easy to use and read in dark environments.



100-W showing components



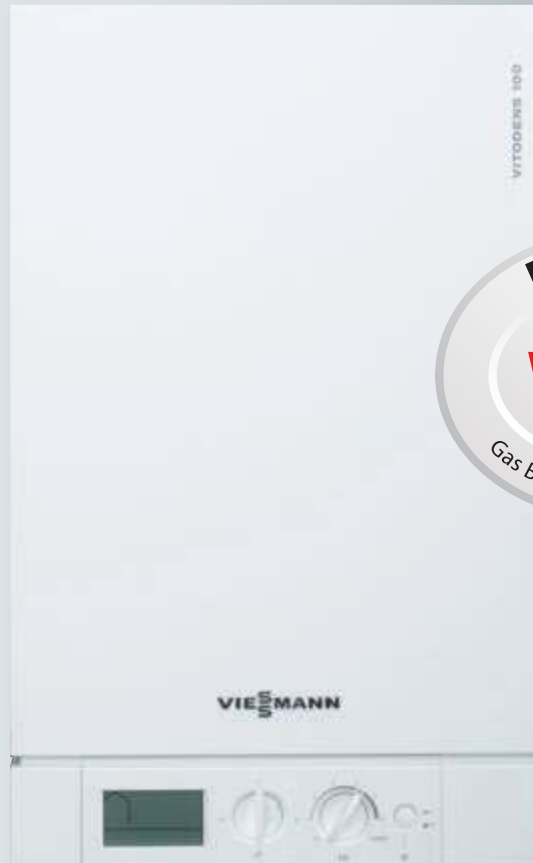
## 10 Year Warranty

on all stainless steel heat exchangers for gas condensing boilers up to 150 kW

Gas condensing  
technology

Vitodens 100-W Open Vent  
7.9 to 35 kW

5 year comprehensive  
warranty as standard  
Option to increase up to 10 years\*



## VITODENS 100-W OPEN VENT

Wall mounted gas fired condensing boiler, with modulating MatriX cylinder burner and Inox-Radial heat exchanger, for open and balanced flue operation.

### Take advantage of these benefits

- For natural gas and LPG (conversion kit part no. 7828769)
- Permissible boiler operating pressure 3 bar
- Modulation ratio of 1:3
- Room thermostatic and weather compensated control unit options
- Min static head 1 m
- No pump overrun required

With a depth of only 285 mm (340 mm for 35 kW model) the Vitodens 100-W Open Vent boiler is perfectly suited for integration into standard kitchen cupboards. It can also be used in a vast number of other applications where there is only limited space available.

### Inox-Radial heat exchanger

The corrosion-resistant stainless steel Inox-Radial heat exchanger with particularly strong walls is extremely durable and achieves efficiency levels of up to 97%.

### Quiet in operation

The boiler's special design ensures the very low operating noise of 48 dB maximum (13 & 16 kW) which is perfectly acceptable even in the kitchen.

### Optional weather compensation

With a simple up-grade the Vitodens 100-W Open Vent can operate in weather compensated mode without incurring a costly heating system modification. Weather compensation acts like an autopilot as it detects outside temperature changes and automatically adjusts the flow temperature of the boiler, thus achieving gas savings of up to 12%.

### 5 year parts and labour warranty

The Vitodens 100-W Open Vent comes with a standard 5 year parts and labour warranty. The stainless steel Inox-Radial heat exchanger features a 10 year anti corrosion warranty.

### Ideal for Y and S plan heating systems

Whilst being specifically designed for open vent heating systems, the Vitodens 100-W Open Vent is suitable for sealed systems using an additional expansion vessel and safety valve. The boiler also shares the various flue options available for the Combination and System models of the Vitodens 100-W gas condensing boiler range.

\* Viessmann Trained Installers can offer their customers an extended warranty option up to 10 years.



## Boilers

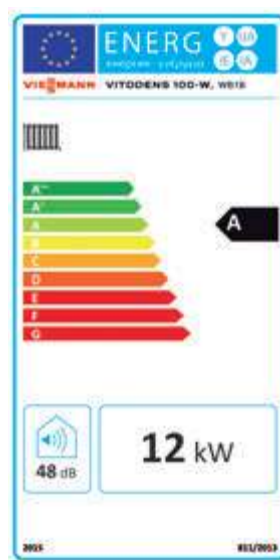
Part No.	Description
WB1B316	Vitodens 100-W Compact (Open vent) 13 kW
WB1B317	Vitodens 100-W Compact (Open vent) 16 kW
WB1B318	Vitodens 100-W Compact (Open vent) 19 kW
WB1B319	Vitodens 100-W Compact (Open vent) 26 kW
WB1B491	Vitodens 100-W Compact (Open vent) 35 kW
<b>Flues</b>	
7411961	Telescopic flue kit Ø 60/100 mm
7441467	Std 1 m horizontal flue kit Ø 60/100 mm (1 000 mm terminal, 87° bend)
7667547	Std 1.75m horizontal flue kit Ø 60/100 mm (1 .75 mm terminal, 87° bend)
7373230	SC vertical flue terminal Ø 60/100 mm
7373223	SC 0.5 m flue extension pipe Ø 60/100 mm
7373224	SC 1 m flue extension pipe Ø 60/100 mm
7373225	SC 1.95 m flue extension pipe Ø 60/100 mm
7667546	SC 2.95m flue extension pipe Ø 60/100 c/w 3 sets wall bracket
7373226	SC 87° flue elbow Ø 60/100 mm
7373227	SC 45° flue elbow Ø 60/100 mm (pair)
7176762	SC flue mounting clip Ø 100 mm
7337276	Terminal guard
7373238	Plume management kit
7373266	Flue bend 45° Ø 60 mm (pair)
7373267	Flue bend 87° Ø 60 mm
7373268	Plume kit 1 m flue extension Ø 60 mm
7246572	Fixing clamps - 60 mm
7452499	Roof tile Ø 125 black (for 60/100 mm flue system)
7452500	Roof tile Ø 125 red (for 60/100 mm flue system)
7426187	Flat Roof Collar Alu Ø 100/125 Height 250
ZK00030	Chimney flue kit 80/125 - 12.5 m / room sealed
ZK00031	Chimney flue kit Ø 80/125 mm - 12.5 m / open flued
7590109	Open flued water protection cap
7373240	Flue adaptor 60/100 to 80/125 mm
<b>Controls</b>	
7141709	Vitotrol 100 Room thermostat. External cabled
7522677	Analogue plug in time clock
Z007693	Vitotrol 100 UTDB RF2 wireless plug-in programmable room thermostat, 2 channel, 7 day (only in conjunction with weather compensation)
Z007933	Weather compensation outdoor sensor (incl DHW demand box)
7725673	tado° Smart thermostat starter kit (v3+) VI ML
7788027	tado° Extension Kit hard wired - required for wireless connection or KM BUS
7788024	tado° Smart thermostat - for additional heating zones inc under floor heating
7726289	tado° Smart radiator thermostat horizontal
7726290	tado° Smart radiator thermostat vertical
<b>Other accessories</b>	
7828769	LPG conversion kit
7369810	Condensate pump for low level boiler installation
Z015500	CO Detector c/w interface m relay output
7725667	Tool kit
7822883	Ionisation current test adaptor
7373005	Plate heat exchanger flushing system



Inox-Radial heat exchanger



100-W Open Vent showing components



## 10 Year Warranty

on all stainless steel heat exchangers for gas condensing boilers up to 150 kW

5 year comprehensive  
warranty as standard  
Option to increase up to 10 years\*



## VITODENS 111-W DHW STORAGE

Wall mounted gas fired condensing boiler with integral cylinder for the highest DHW convenience.

### Take advantage of these benefits

- Compact dimensions save space, particularly when installed in a living area
- SEDBUK 2009 seasonal efficiency 89.5%
- Ideal as a replacement for older appliances due to low installed height and installation space for adaptation to existing systems
- Low operating noise through extended modulation ratio
- Modulation ratio: up to 1:6
- Modulating stainless steel cylinder burner
- User friendly control via backlit LCD touchscreen (option for control via room thermostats)
- 46 litre storage, equivalent to a 150 litre unvented cylinder due to CLS
- Combined PRV and condensate connection, for fast and simple installation
- Straightforward access from the front, so no need to leave space at side for maintenance
- Also approved for multiple connections to stacks in multi storey buildings

The Vitodens 111-W is also equipped with a stainless steel loading cylinder that boasts a 46 litre capacity.

The modulating ratio over the entire output range is up to 1:6. This high ratio makes these boilers particularly suitable for use in small apartments and well insulated buildings. The user benefits from fewer appliance start-ups and therefore less operating noise. Because a lower level of stress is placed upon the appliance, the service life of components is consequently extended.

### Stainless steel heat exchanger

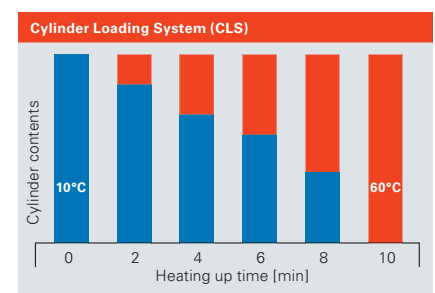
As is the case with all Viessmann gas condensing boilers, the Vitodens 111-W is equipped with a stainless steel Inox-Radial heat exchanger. This technology brings with it an extremely high efficiency rate of 98 percent and exceptionally reliable and efficient operation during its long service life.

Viessmann guarantees the Inox-Radial heat exchanger for ten years against leaks resulting from corrosion.

### Cylinder Loading System (CLS)

Most unvented cylinders use a heating coil to heat up the cylinder. The CLS technology replaces the coil with a plate heat exchanger. A DHW pump circulates the cold water from the bottom of the cylinder, through the plate heat exchanger and puts the hot water back to the top of the cylinder.

\* Viessmann Trained Installers can offer their customers an extended warranty option up to 10 years.



## Boilers

Part No.	Description
B1LD009	Vitodens 111-W with integrated 46l un-vented cylinder 26 kW
B1LD010	Vitodens 111-W with integrated 46l un-vented cylinder 35 kW
<b>Flues</b>	
7411961	Telescopic flue kit Ø 60/100 mm
7441467	Std 1 m horizontal flue kit Ø 60/100 mm (1 000 mm terminal, 87° bend)
7667547	Std 1.75m horizontal flue kit Ø 60/100 mm (1.75 m terminal, 87° bend)
7373230	SC vertical flue terminal Ø 60/100 mm
7373223	SC 0.5 m flue extension pipe Ø 60/100 mm
7373224	SC 1 m flue extension pipe Ø 60/100 mm
7373225	SC 1.95 m flue extension pipe Ø 60/100 mm
7667546	SC 2.95m flue extension pipe Ø 60/100 c/w 3 sets wall bracket
7373226	SC 87° flue elbow Ø 60/100 mm
7373227	SC 45° flue elbow Ø 60/100 mm (pair)
7176762	SC flue mounting clip Ø 100 mm
7337276	Terminal guard
7373238	Plume management kit
7373266	Flue bend 45° Ø 60 mm (pair)
7373267	Flue bend 87° Ø 60 mm
7373268	Plume kit 1 m flue extension Ø 60 mm
7246572	Fixing clamps - 60 mm
7452499	Roof tile Ø 125 black (for 60/100 mm flue system)
7452500	Roof tile Ø 125 red (for 60/100 mm flue system)
7426187	Flat Roof Collar Alu Ø 100/125 Height 250
ZK00030	Chimney flue kit 80/125 - 12.5 m / room sealed
ZK00031	Chimney flue kit Ø 80/125 mm - 12.5 m / open flued
7590109	Open flued water protection cap
7373240	Flue adaptor 60/100 to 80/125 mm
<b>Controls</b>	
7511618	Vitotrol 100 OpenTherm programmable room controller, 7 day, single channel (load compensation) External cabled
Z013877	Mixer extension kit without Vitotrol 100 Open Therm (OT)
Z013919	Mixer extension kit with one Vitotrol 100 Open Therm (OT)
Z013920	Mixer extension kit with two Vitotrol 100 Open Therm (OT)
7141709	Vitotrol 100 Room thermostat. External cabled
7170149	Vitotrol 100 UTA programmable room thermostat 24h analogue External cabled
7522678	Analogue plug in time clock for Vitodens 100-W WB1C/B1HA/B1KA/B1HC/B1KC/B1LD
7454521	Vitotrol 100 UTA RF 1 channel wireless for Vitodens 100-W WB1C/B1HA/B1KA/B1HC/B1KC/B1LD
7537234	Vitotrol 100 UTDB RF2 wireless for Vitodens 100-W WB1C/B1HA/B1KA/B1HC/B1KC/B1LD
Z007691	Vitotrol 100 UTDB programmable room thermostat - 7 day, single channel External cabled
Z007692	Vitotrol 100 UTDB RF wireless programmable room thermostat - 7 day, single channel
ZK02485	Outside Temperature Sensor for Weather Compensated Operation
ZK04327	Vitoconnect OT2
7725673	tado° Smart thermostat starter kit (v3+) V1 ML
7788027	tado° Extension Kit hard wired - required for wireless connection or KM BUS
7788024	tado° Smart thermostat - for additional heating zones inc under floor heating
7726289	tado° Smart radiator thermostat horizontal
7726290	tado° Smart radiator thermostat vertical
<b>Other accessories</b>	
7849983	LPG conversion kit for Vitodens 111-W 19/26 kW
7849984	LPG conversion kit for Vitodens 111-W 30/35 kW
7369810	Condensate pump for low level boiler installation
Z015500	CO Detector c/w interface m relay output
7725667	Tool kit
7822883	Ionisation current test adaptor
7459591	Tundish set for combined condensate & PRV drain


**The touchscreen improves user friendliness**

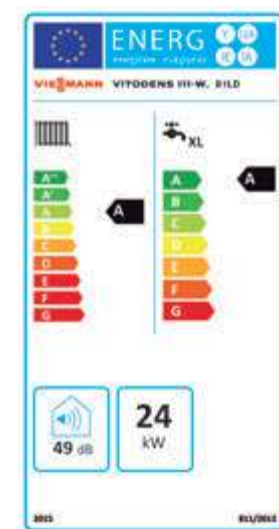
Vitodens 100-W wall mounted gas condensing boilers are controlled by the new, backlit LCD touchscreen, which makes it easy to use and read in dark environments.



Can fill a standard bath in just 8 minutes, whilst also supplying a sink or washbasin simultaneously.



111-W showing components



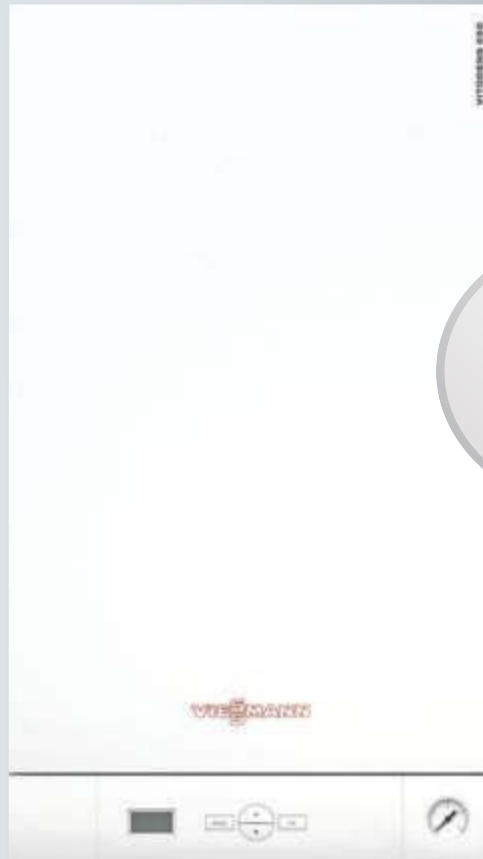
## 10 Year Warranty

on all stainless steel heat exchangers for gas condensing boilers up to 150 kW

Gas condensing  
technology

Vitodens 050-W Combi  
5.9 to 35 kW

3 year comprehensive warranty  
Option to increase up to 7 years\*



## VITODENS 050-W COMBI

The Vitodens 050-W wall mounted gas condensing boiler offers excellent heating and DHW convenience with a particularly advantageous price/performance ratio.

### Take advantage of these benefits

- Standard efficiency up to 97% (Hs)
- Highly durable and efficient through Inox-Radial stainless steel heat exchanger
- Modulating high efficiency stainless steel cylinder burner
- Easy to operate control with manual power limitation and provision for connecting modulating thermostats
- Combined PRV and condensate connection, for fast and simple installation
- Digital user interface with LCD display
- Suitable for weather compensation and/or open therm control operation
- High efficiency A rated pump

With the Vitodens 050-W, Viessmann now offers an attractively priced wall mounted gas condensing boiler with proven quality. An extensive range of accessories makes the Vitodens 050-W equally suitable for either new build or modernisation. It is offered with two DHW output ratings (5.9 to 29 and 8 to 35 kW), as a combi boiler with an integral instantaneous water heater. An electronic boiler control unit for thermostatic mode and weather compensated mode is already integrated into the Vitodens 050-W, along with a frost stat. The outside temperature sensor is available as an accessory.

### Quiet and compact

The Vitodens 050-W features a particularly low level of operating noise and its components are accessible from the front for ease of service and maintenance. With a height of only 707 mm, the Vitodens 050-W is one of the smallest wall

mounted boilers in its class. Its compact dimensions recommend it as a replacement for outdated boilers in multi storey buildings – including up to five boilers on different floors connected to one vertical flue system.

### Inox-Radial heat exchanger and cylinder burner made from stainless steel

The high quality stainless steel Inox-Radial heat exchanger efficiently converts the supplied energy into heat. Its efficiency (to DIN) is 97 percent (Hs) [gross cv] or according to SEDBUK > 89.1 % (2009). The stainless steel cylinder burner therefore consumes relatively little natural gas, with lower CO<sub>2</sub> emissions and less impact on the environment as a result.

\* Viessmann Trained Installers can offer their customers an extended warranty option up to 7 years.



## Boilers

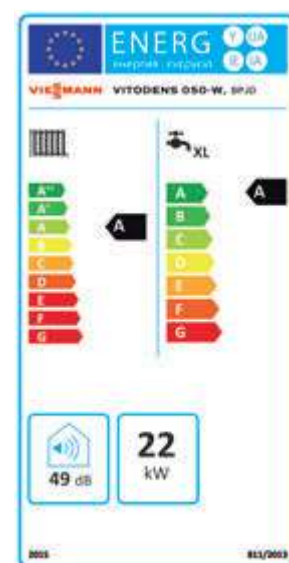
Part No.	Description
BPJD030	Vitodens 050-W 29 kW BPJD
BPJD031	Vitodens 050-W 35 kW BPJD
<b>Flues</b>	
7411961	Telescopic flue kit Ø 60/100 mm
7441467	Std 1 m horizontal flue kit Ø 60/100 mm (1 000 mm terminal, 87° bend)
7667547	Std 1.75 m horizontal flue kit Ø 60/100 mm (1 .75 mm terminal, 87° bend)
7373230	SC vertical flue terminal Ø 60/100 mm
7373223	SC 0.5 m flue extension pipe Ø 60/100 mm
7373224	SC 1 m flue extension pipe Ø 60/100 mm
7373225	SC 1.95 m flue extension pipe Ø 60/100 mm
7667546	SC 2.95 m flue extension pipe Ø 60/100 c/w 3 sets wall bracket
7373226	SC 87° flue elbow Ø 60/100 mm
7373227	SC 45° flue elbow Ø 60/100 mm (pair)
7176762	SC flue mounting clip Ø 100 mm
7337276	Terminal guard
7373238	Plume management kit
7373266	Flue bend 45° Ø 60 mm (pair)
7373267	Flue bend 87° Ø 60 mm
7373268	Plume kit 1 m flue extension Ø 60 mm
7246572	Fixing clamps - 60 mm
7452499	Roof tile Ø 125 black (for 60/100 mm flue system)
7452500	Roof tile Ø 125 red (for 60/100 mm flue system)
7426187	Flat Roof Collar Alu Ø 100/125 Height 250
ZK00030	Chimney flue kit 80/125 - 12.5 m / room sealed
ZK00031	Chimney flue kit Ø 80/125 mm - 12.5 m / open flued
7590109	Open flued water protection cap
7373240	Flue adaptor 60/100 to 80/125 mm
<b>Controls</b>	
7537993	Vitotrol 100-W Room thermostat (LV). External cabled
7537996	Vitotrol 100 UTA Programmable room thermostat 24 hour (LV). External cabled
7537988	Analogue plug in time clock , 1 channel
7552848	Vitotrol 100 UTA Wireless plug-in programmable room thermostat, 1 channel 24 hour
7543788	Vitotrol 100 UTDB RF2 Wireless plug-in programmable room thermostat, 2 channel 7 day
7511618	Vitotrol 100 OpenTherm programmable room controller, 7 day, single channel (load compensation). External cabled
7543241	Outside temperature sensor for weather compensated operation
ZK04327	Vitoconnect OT2
7725673	tado° Smart thermostat starter kit (v3+) VI ML
7788027	tado° Extension Kit hard wired - required for wireless connection or KM BUS
7788024	tado° Smart thermostat - for additional heating zones inc under floor heating
7726289	tado° Smart radiator thermostat horizontal
7726290	tado° Smart radiator thermostat vertical
<b>Other accessories</b>	
7861488	LPG conversion kit for 29 kW
7861487	LPG conversion kit for 35 kW
7582789	Electrical connection box 230V
7601812	Stand off frame
7601843	Valves fittings cover
7369810	Condensate pump for low level boiler installation
ZO15500	CO Detector c/w interface m relay output
7725667	Tool kit
7822883	Ionisation current test adaptor
7459591	Tundish set for combined condensate & PRV drain



Inox-Radial heat exchanger



050-W showing components



## 10 Year Warranty

on all stainless steel heat exchangers for  
gas condensing boilers up to 150 kW



## 4-pipe system



Viessmann Vitodens system boilers up to 35 kW installed together with a Vitocell 200 or 300 unvented cylinder are the perfect combination to meet G3 building regulations without the need for an energy cut-off valve and cylinder overheat thermostat; these are integrated into the boiler.

Installation time will be reduced by up to 1 day as the following are no longer required:

- Energy cut off valve or safety valve
- Expansion vessel and pump
- Gauge and cylinder overheat thermostat
- Part P certification

### Compatibility with solar

As a manufacturer of the full range of renewable energy technologies all Viessmann boilers are 100% compatible with solar thermal panels. The Vitodens 200-W range has the added advantage of boiler suppression, when using Viessmann solar panels and a dual coil cylinder. This means that the hot water system will always take advantage of solar power, whenever solar energy is available and the boiler will only fire to 'top up' the DHW heating process when absolutely necessary – resulting in significant fuel savings.

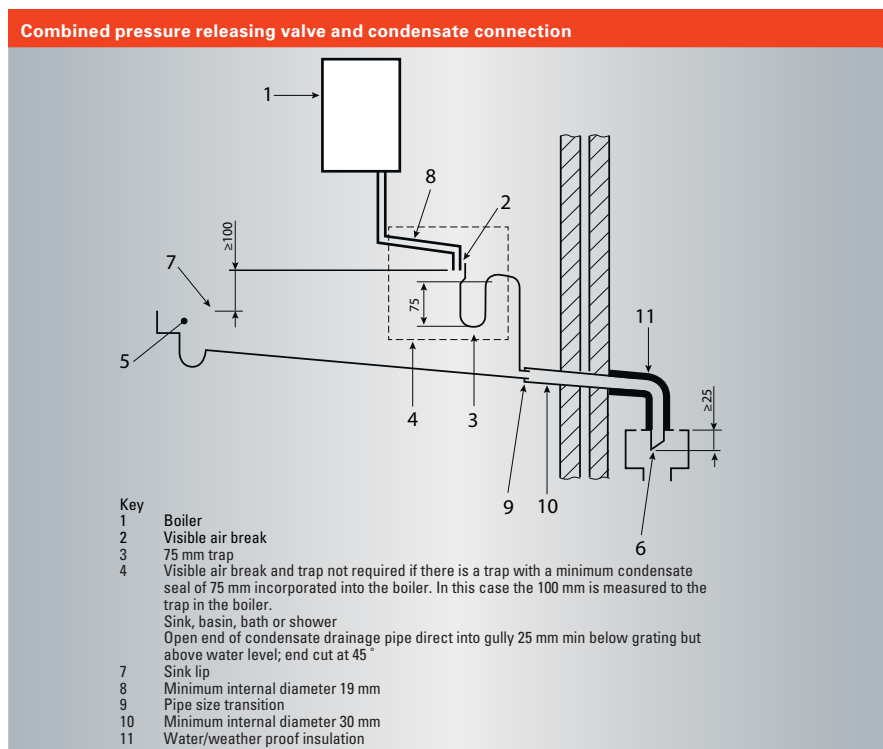
## Combined PRV and condensate connection

Installation is faster, simpler and more cost-effective as pressure release valve (PRV) and condensate connection are combined, and long runs of additional piping are no longer required.

- Fast and simple installation, saving time and expense
- Built in safety device meaning no discharge pipe for DHW cylinder is required
- No exterior PRV drip/stain as it feeds into a single cold water pipe
- One less pipe to penetrate the building fabric

All Vitodens domestic boilers (exc Vitodens 100-W Open Vent) feature the combined PRV and condensate connection

Vitodens 050-W  
 Vitodens 100-W  
 Vitodens 111-W  
 Vitodens 200-W  
 Vitodens 222-F



Example of a generic installation with the combined PRV/condensate connection

## VITOCCELL 200-V



The Vitocell 200 range of unvented hot water storage cylinders are indirectly heated cylinders designed for use with Vitodens system boilers (or UK standard boilers).

Model	Height (mm)	Diameter (mm)	kW rating of primary coil (kW)	Heat up time from 15°C to 60°C (min)*	Stand-by losses (kWh/24h)**	Expansion vessel	Part no.
200-V 90	732	550	16.5	17	0.89	12 litre	7572707
200-V 120	920	550	18	21	1.00	12 litre	7572708
200-V 150	1 107	550	18.5	25	1.20	18 litre	7572709
200-V 180	1 295	550	19	30	1.30	18 litre	7572710
200-V 210	1 493	550	25.6	32	1.60	24 litre	7572711
200-V 250	1 733	550	27.1	36	1.80	24 litre	7572712
200-V 300	2 020	550	24.9	38	2.00	40 litre	7572713

\* Approx re-heat time for 70% of cylinder contents from 15°C to 60°C using a 82°C flow  
\*\* Meets CHES Best practice requirements

## VITOCCELL 200-B



Dual-mode domestic hot water cylinders work to heat the domestic hot water with separate indirect coils that are connected directly to the solar thermal system.

Model	Height (mm)	Dia (mm)	kW rating of primary coil (kW)	kW rating of solar coil (kW)	Heat up time from 15°C to 60°C (min)	Stand-by losses (kWh/24h)**	Expansion vessel	Part no.
VC 200-B 210	1 483	550	18.5	18.5	35	1.60	24 litre	7572714
VC 200-B 250	1 733	550	19	19	38	1.80	24 litre	7572715
VC 200-B 300	2 020	550	20.5	20.5	41	2.00	40 litre	7572716

\* Approx re-heat time for 70% of cylinder contents from 15°C to 60°C using a 82°C flow  
\*\* Meets CHES Best practice requirements

## VITOCCELL 300-V



The Vitocell 300 range of unvented hot water storage cylinders are indirectly heated cylinders designed for use with Vitodens system boilers and characterised by the use of heavy gauge quality stainless steel. The addition of a 30 mm polyester fibre fleece and 13 mm vacuum panel top result in the 160 and 200 litre models having an Energy Efficiency Class rating of A+.

		Vitocell 300-V	Vitocell 300-V
Single coil			
Volumes	litres	160/200	160/200/300/500
Material		SS 1.4521	SS 1.4521
Thickness/gauge	mm	2.5 - 2.8	2.5 - 2.8
Max. pressure	bar	16	16
Operating pressure	bar	10	10
Insulation		PUR	PUR
Heat loss in 24h	kWh/hr	0.75	0.91
Height	mm	1189/1409	1189/1409/1734/1852
Width/diam.	mm	605	605
Overall width	mm	605/605	605/605/744/1084
Immersion heater	kW	3/6 (400V/230V)	3/6 (400V/230V)
Coil rating	kW	35	35/35/36/58
Weight (net)	kg	61.5/72.2	59.3/70.0/104.5/110.1
Expansion vessel type	litres	External vessel	External vessel
Energy Efficiency Class		A+	A

## VITOCCELL 300-B

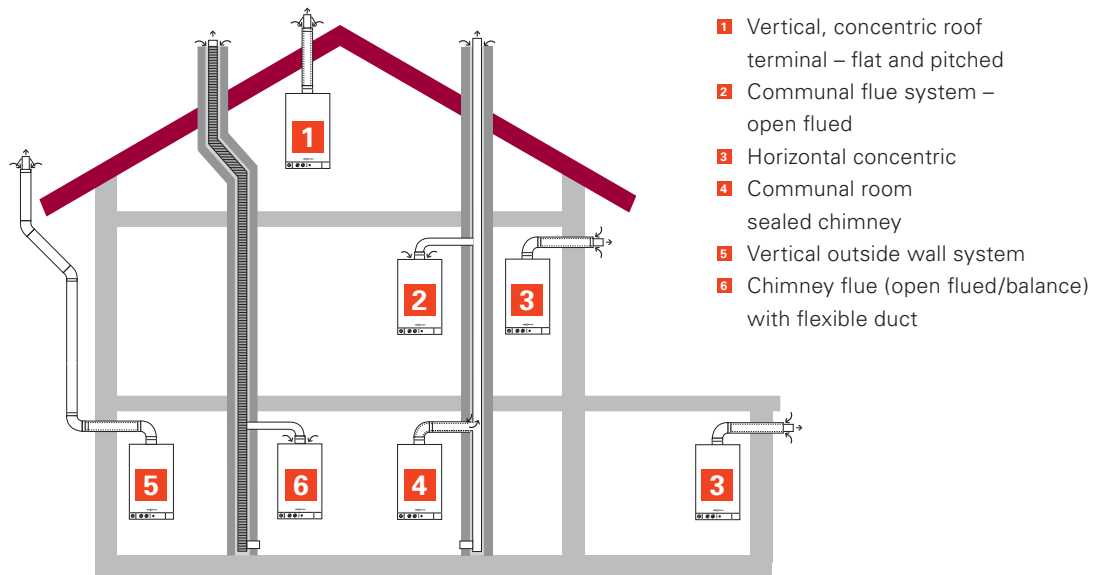


The Vitocell 300-B is a dual mode DHW cylinder with two indirect coils. Made from high alloy stainless steel, the Vitocell 300-B is a reliable and efficient solution for the integration of two energy sources. Available in two sizes, either 300 litres or 500 litres.

		Vitocell 300-B	Vitocell 300-B
Twin coil			
Volumes	litres	300	500
Material		SS 1.4571	SS 1.4571
Thickness/gauge	mm	2.8	2.8
Max. pressure	bar	16	16
Operating pressure	bar	10	10
Insulation		PUR	PUR
Heat loss in 24h	kWh	1.17	1.17
Height	mm	1 790	1 790
Width/diam.	mm	633	633
Overall width	mm	700	700
Immersion heater	kW	2/6(400V)	3 (230V)
Coil rating	kW	54	54
Weight (net)	kg	100	100
Expansion vessel type	litres	External vessel	External vessel

## Flue applications

Vitodens boilers can be installed in virtually all domestic applications, some examples are illustrated.



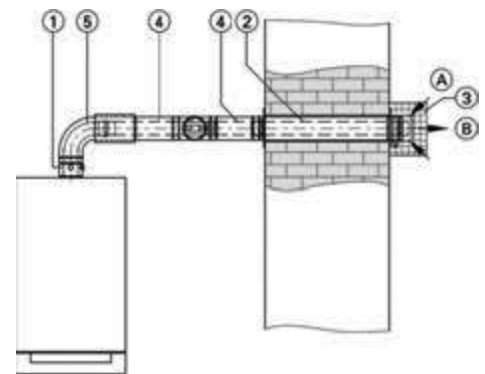
- 1 Vertical, concentric roof terminal – flat and pitched
- 2 Communal flue system – open flued
- 3 Horizontal concentric
- 4 Communal room sealed chimney
- 5 Vertical outside wall system
- 6 Chimney flue (open flued/balance) with flexible duct

The maximum flue length is the single biggest consideration. Maximum flue lengths are provided and have already allowed for 2 bends of 87° (including support bends). For each additional 90° elbow reduce the maximum flue length by 1 m, each additional 45° elbow by 0.5 m.

As a rule of thumb increasing the diameter of the flue from 60 mm to 80 mm will add approximately 15% to the maximum flue length, but please check with the Viessmann Technical Department if in doubt.

### 3 Horizontal wall terminal

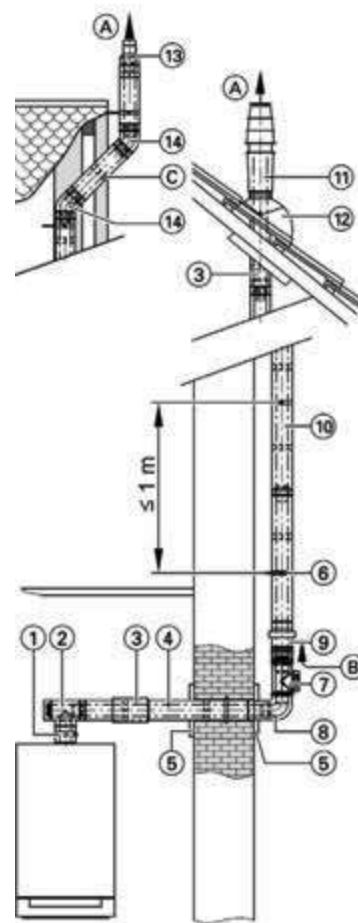
Part no.	60/100	80/125
① Boiler flue connection		
② Balanced flue external wall connection (incl. wall bezels)	7441467	7435862
③ Protective grille	7337276	7189821
④ Balanced flue extension pipe		
1 m long	7373224	7194321
0.5 m long	7373223	7194320
⑤ Balanced flue bend		
87°	7373226	7194323
2 x 45°	7373227	7194324
Fixing clamp	7176762	7176664
Horizontal flue terminal kit	7441467	
Flue terminal 1 m, 2 x wall seals, Balanced flue bend 87°		



- (A) Combustion air
- (B) Flue gas

## 5 Routing over an external wall

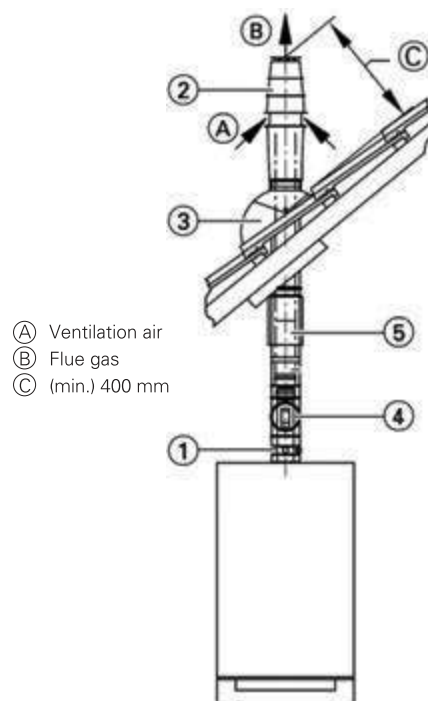
Part no.	60/100	80/125
① <b>Boiler flue connection</b>		
② <b>Balanced flue inspection tee,</b> 87° or <b>Balanced flue inspection bend,</b> 87°	7373229	7199782
③ <b>Balanced flue sliding coupling</b> (optional)	7373236	7194329
④ <b>Balanced flue pipe</b> 1.95 m long	7373225	7194322
1 m long	7373224	7194321
0.5 m long	7373223	7194320
⑤ <b>Wall bezel</b>	7176760	7176662
⑥ <b>Fixing clamp</b>	7176762	7176664
⑦ <b>Balanced flue inspection piece, straight</b> (optional)	7373228	7199781
<b>External wall pack</b> with	7373234	7194327
⑧ <b>Balanced flue bend</b> 87°		
⑨ <b>Balanced flue air intake</b>		
⑩ <b>Balanced flue pipe</b> 1.95 m long	7373225	7194322
1 m long	7373224	7194321
0.5 m long	7373223	7194320
⑪ <b>Balanced flue roof outlet</b> (with a high roof overhang above the roof) Black	7373230	7373271
Terracotta	7373231	7373272
⑫ <b>Universal roof tile</b> Lead Free Flashing Black	7452499	7452501
Lead Free Flashing Terracotta	7452500	7452502
⑬ <b>External wall terminal</b> (for a short roof overhang)	7176753	7176655
⑭ <b>Balanced flue bend</b> 45°	7373227	7194324
87°	7373226	7194323



- Ⓐ Flue gas
- Ⓑ Combustion air
- Ⓒ Step in the external wall routing for a short roof overhang

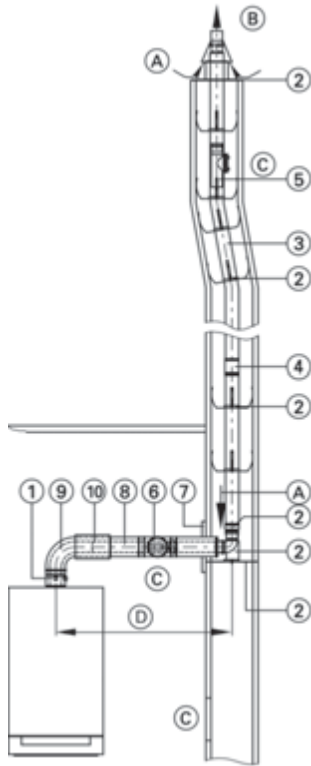
## 1 Vertical terminal for sloping or flat roofs

Part no.	60/100	80/125
① <b>Boiler flue connection</b>		
② <b>Balanced flue roof outlet</b> Black	7373230	7373271
Terracotta	7373231	7373272
③ <b>Universal roof tile</b> Lead Free Flashing Black	7452499	7452501
Lead Free Flashing Terracotta or <b>Flat roof collar</b>	7248017	7248017
④ <b>Balanced flue inspection piece, straight</b> (optional)	7373228	7199781
⑤ <b>Balanced flue sliding coupling</b> (optional) <b>Balanced flue bend</b> 87°	7373236	7194329
2 x 45°	7373226	7194323
<b>Balanced flue pipe</b> 1 m long	7373224	7194321
0.5 m long	7373223	7194320
<b>Fixing clamp</b>	7176762	7176664



- Ⓐ Ventilation air
- Ⓑ Flue gas
- Ⓒ (min.) 400 mm

## Flue location and ventilation

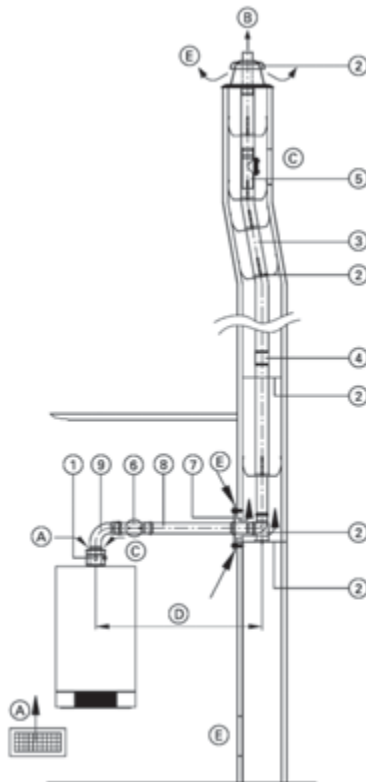


- (A) Combustion air
- (B) Flue gas
- (C) Inspection aperture
- (D) Connection piece

## 6 Balanced flue operation

Part no.	60/100	80/125
① <b>Boiler flue connection</b>		
② <b>Standard shaft pack</b> (PPS, flexible) comprising: <ul style="list-style-type: none"> <li>■ Support bend</li> <li>■ Support rail</li> <li>■ Shaft cover (PPS)</li> <li>■ Spacers (5 pce.)</li> </ul>	7248206	7248213
or		
<b>Standard shaft pack</b> (metal/PPS, rigid) <ul style="list-style-type: none"> <li>■ Support bend</li> <li>■ Support rail</li> <li>■ Shaft cover (metal)</li> <li>■ Terminal pipe (stainless steel)</li> <li>■ Spacers (5 pce.)</li> </ul>	7452173	7452179
For twin flue chimneys (one flue for solid fuel boilers) comprising:		
<b>Spacers</b> (5 pce)	7190560	7147035
③ <b>Flexible pipe</b> , on a roll, 12.5 m long.	7248208	7248216
<b>Flexible pipe</b> , on a roll, 25 m long.	7248207	7248215
④ <b>Connecting piece</b> , for connecting residual lengths of the flexible flue pipe.	7248211	7248219
<b>Pipe lowering attachment</b> incl. 20 m rope.	7248212	7248214
⑤ <b>Inspection piece</b> , straight For installation in the flexible flue pipe.	7248210	7248218
⑥ <b>Balanced flue inspection piece</b> , straight.	7373228	7199781
⑦ <b>Wall bezel</b>	7176760	7176662
⑧ <b>Balanced flue pipe</b>		
1 m long.	7373224	7194321
0.5 m long.	7373223	7194320
⑨ <b>Balanced flue bend</b> 87°	7373226	7194323
<b>Chimney flue kit</b> (12.5 m) comprising: parts 2, 3, 7, 8, 9	ZK00028	ZK00030

## 2 Open flue operation



- (A) Ventilation air
- (B) Flue gas
- (C) Inspection port
- (D) Connection piece
- (E) Ventilation aperture

Part no.	60/100*	80/125
① <b>Boiler flue connection</b>		
② <b>Standard shaft pack</b> (PPS, flexible) comprising: <ul style="list-style-type: none"> <li>■ Support bend</li> <li>■ Support rail</li> <li>■ Shaft cover (PPS)</li> <li>■ Spacers (5 pce.)</li> </ul>	7248206	7248213
or		
<b>Standard shaft pack</b> (metal/PPS, rigid) <ul style="list-style-type: none"> <li>■ Support bend</li> <li>■ Support rail</li> <li>■ Shaft cover (metal)</li> <li>■ Terminal pipe (stainless steel)</li> <li>■ Spacers (5 pce.)</li> </ul>	7452173	7452179
For twin flue chimneys (one flue for solid fuel boilers) comprising:		
<b>Spacers</b> (5 pce)	7190560	7147035
③ <b>Flexible pipe</b> , on a roll, 12.5 m long.	7248208	7248216
<b>Flexible pipe</b> , on a roll, 25 m long.	7248207	7248215
④ <b>Connecting piece</b> , for connecting residual lengths of the flexible flue pipe.	7248211	7248219
<b>Pipe lowering attachment</b> incl. 25 m rope.	7248212	7248214
⑤ <b>Inspection piece</b> , straight For installation in the flexible flue pipe.	7248210	7248218
⑥ <b>Inspection piece</b> , straight	9373228	7248312
⑦ <b>Vent bezel</b>	7176728	7176634
⑧ <b>Pipe</b>		
1 m long	7373214	7194310
0.5 m long	7373215	7194311
⑨ <b>Bend</b>		
87°	7373218	7194314
45° (2 pce)	7373219	7194315
or		
<b>Inspection tee</b> 87°	7373217	7194313
<b>Stainless steel extension</b> for shaft cover 380 mm long (metal/PPS, rigid)	7373278	7373278
<b>Chimney flue kit</b> (12.5 m) comprising: parts 2, 3, 7, 8, 9	ZK00029	ZK00031

\*Only for Vitodens 200-W 19 kW system

## Flue lengths

2 Max. total flue length up to the boiler flue connection (at system temperature 50/30°C)						
4	Vitodens 050-W	Rated output range (kW)			6.5	8.8
		max. length (m) - system size 60/100			29.0	35.0
5	Vitodens 100-W	Rated output range (kW)			6.5	8.8
		max. length (m) - system size 60/100			19.0	26.0
6	Vitodens 100-W Open Vent	Rated output range (kW)	7.9	7.9	7.9	7.9
		max. length (m) - system size 60/100	13.0	16.0	19.0	26.0
	Vitodens 111-W	Rated output range (kW)	8/10	8/10	8/10	8/10
		max. length (m) - system size 60/100				26.0
	Vitodens 200-W	Rated output range (kW)			3.2	5.2
		max. length (m) - system size 60/100			11.0	19.0
	Vitodens 222-F	Rated output range (kW)			3.2	5.2
		max. length (m) - system size 60/100			19.0	25.0

Allowed for are 2 bends 87° (incl. support bends).

1 Max. total flue length up to the boiler flue connection (at system temperature 50/30°C)						
3	Vitodens 050-W	Rated output range (kW)			6.5	8.8
		max. length (m) - system size 60/100			29.0	35.0
	Vitodens 100-W	Rated output range (kW)			6.5	8.8
		max. length (m) - system size 60/100			19.0	26.0
	Vitodens 100-W Open Vent	Rated output range (kW)	7.9	7.9	7.9	7.9
		max. length (m) - system size 60/100	13.0	16.0	19.0	26.0
	Vitodens 111-W	Rated output range (kW)	8/10	8/10	8/10	8/10
		max. length (m) - system size 60/100				26.0
	Vitodens 200-W	Rated output range (kW)			3.2	5.2
		max. length (m) - system size 60/100			19.0	26.0
	Vitodens 222-F	Rated output range (kW)			3.2	5.2
		max. length (m) - system size 60/100			19.0	26.0

Allowed for are 2 bends 87° (incl. support bends).

### Vitodens 100-W Combination & System

For concentric or balanced flue systems the max. flue length can be up to 19 m.

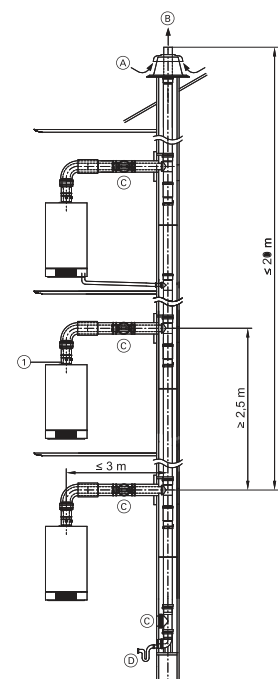
To match the boiler output to the flue system length, a concentric factor has to be set

- see installation instructions.

## Communal Flue System (CFS)

A CFS system could be designed as shown below. To be able to provide correct parts it is important to know how the boiler is linked to the CFS duct.

System size	60	80
Parallel adapter $\varnothing$ 60/100 mm - $\varnothing$ 60/60 mm	7418011	
For separate routing of flue gas and ventilation air		
Parallel adapter $\varnothing$ 60/100 mm - $\varnothing$ 60/60 mm		7418011
For separate routing of flue gas and ventilation air		



A Ventilation air  
B Flue gas  
C Inspection port  
D Condensate drain with siphon

## Plume management kit

The plume kit enables the relocation of the flue outlet of a standard horizontal flue system to another position and is available as an optional extra.

- Ensure the maximum length of 3 m (externally) and 7 m (internally) is not exceeded
- The maximum length is reduced by 1 m when using a further 87° bend or 2 x 45° bends
- Deduct 3 m from the maximum possible standard concentric horizontal flue length and add the standard plume kit maximum length to give maximum length of entire flue system. ie. 6 m - 3 m + 2 m = 5 m maximum

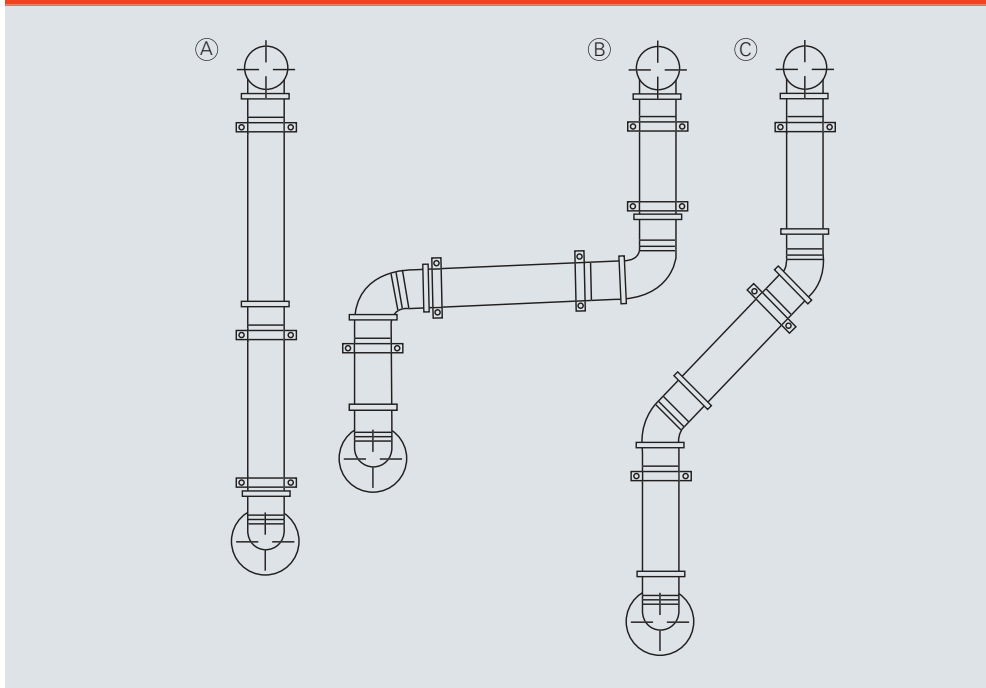
### The standard plume kit comprises of the following parts:

- 87° connection to horizontal terminal
- 1 m pipe extension
- 87° flue outlet elbow with bird mesh
- Fixing clamps



Installed to prevent nuisance plumbing across the window

### Typical routing options



Item	Part no.
(A) Plume kit standard delivery 2 m max. length	7373238
(B) Plume kit standard delivery additional options	
2 x 87° bends	7373267
1 pipe 1 m long	7373268
(C) Plume kit standard delivery additional options	
2 x 45° bends	7373266
1 pipe 1 m long	7373268
Fixing clamps	7246572



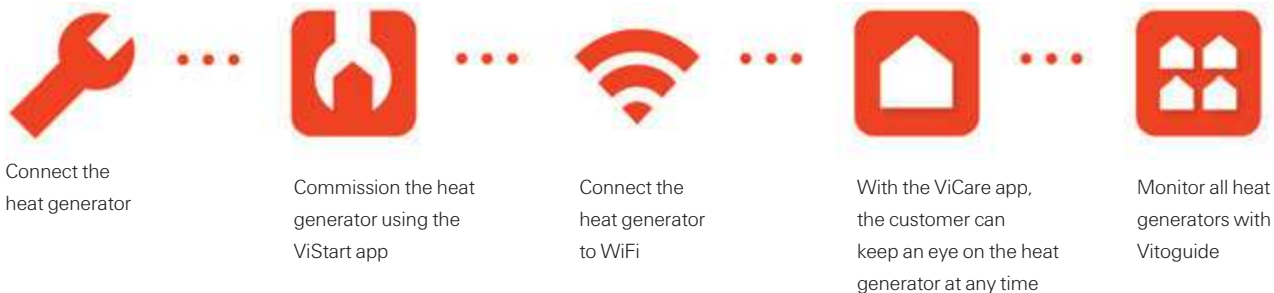
Kit contents



## Digital services

Digital services support our products and thus offer the benefits heating experts and end customers expect. Vitoguide provides "Monitoring and Control" for heating experts and ViStart delivers simple on-site commissioning. For the system user, there is individual room control with ViCare or control of the heating system via Alexa.

**TAKE ADVANTAGE OF SIMPLE CONNECTIVITY AND OFFER YOUR CUSTOMERS REASSURANCE.**



## Vitoguide

The centre for innovative digital services.

Viessmann is now offering installers an innovative solution for monitoring heating systems with Vitoguide software. The system user benefits from greater reassurance, whilst the trade partner keeps a constant watch online over the heating systems for which they are responsible.

**Available from Spring 2020**

### Make Vitoguide work for installers and customers

- Installers can install Vitoconnect for their customers if the heating system is not web-enabled
- The customer can hook up using their WiFi and register using the ViCare app
- They can register their installer as their trade partner on the ViCare app and activate the remote service
- The installer accepts the remote service request in the Vitoguide software
- Installer benefits: remote maintenance, automated messages, show fault displays and much more
- The customer enjoys a personal service and the ViCare app features



Vitoguide app for installers

# ViCare

The app for Viessmann heating systems.

### Intuitive remote control for your boiler

With the new ViCare app, operating your heating system has become even easier and more intuitive. You can adjust heating times to suit your individual requirements using the integral wizard and see cost savings displayed instantly.

### The ViCare app provides the best way to connect you with your Viessmann heating system

You will be able to see at a glance whether everything is working as it should be whilst operating the heating system. In the event that it isn't, you will be notified automatically.

With the ability to enter your contractor's details into the app directly, you can avoid stress and save time by ensuring that your contractor has all the information about your system to hand and can quickly provide support.

### Downloading and using the app

The ViCare app is available for both iOS devices and Android devices. It can be used in conjunction with a web-enabled Viessmann heating system, or in conjunction with the Vitoconnect 100 WiFi module, which can be obtained from your heating contractor.



iPhone version (App store)



Android version (Google play)

### Security - Warmth and reassurance

- When everything is displayed in green, you can see at a glance that everything is working as it should be.
- If everything is displayed in yellow, you will be able to instantly see that a service is due
- If red, the hotline to your contractor is displayed.

### Save costs when you're not at home -

#### Simply set your preferred temperature

- Easy, intuitive operation of the heating system
- Set your chosen temperature with just one click
- Store your daily routine and automatically reduce your energy bills

### A comprehensive carefree package

- Simply save your contractor's details to the app
- Quick and effective support as the contractor will have all of the important information they need
- A comprehensive carefree package in terms of peace of mind and maintenance



ViCare app for homeowners

# ViStart

## Commissioning in just four simple steps.

Putting a new heating system into operation simply, quickly and safely – ViStart app makes it easy.

The tool for your smartphone makes commissioning easier for you, considerably reduces the time it takes to hand it over to the system operator and can be used practically without prior experience. The app guides you through the commissioning procedure in four steps:

Select the boiler to be commissioned from the list, the app automatically establishes a direct connection to the unit. With the integrated WiFi access point, no internet connection is required.

After entering the network name and a password, the user-friendly dashboard appears. For verification purposes, the serial number of the boiler is displayed and confirmed with “Continue”.

All parameters are then consecutively queried and set, e.g. system pressure, heating curves, naming of heating circuits and time programs.

The device is running. Finally, an acceptance report with all settings can be generated. This can be sent for your own records or to the customer.

### Free download

The ViStart app can currently be used to commission all new generation Vitodens gas condensing boilers. It will be progressively expanded to include other heat generators that will be launched on the market with the new electronic platform. You can download the ViStart app free of charge from the Apple app store or the Google Play store and install it on your smartphone.

### Benefits for installers

- Fully guided commissioning process
- No internet connection or Optolink interface required
- For Smartphone and tablet (iOS and Android)
- System pressure, heating curves, heating circuit naming, adjustable time programs
- Download, share and document all settings in the final inspection report



ViStart app for smartphones or tablets.



ViStart - the commissioning app for installers.



### Step 1

The app shows all relevant appliances for Commissioning.



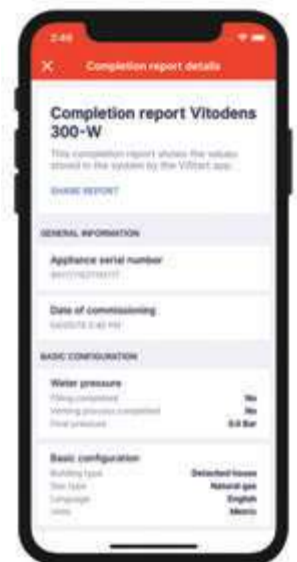
### Step 2

With the selection of the desired heat generator a connection is established automatically.



### Step 3

For verification purposes, the serial number is displayed and confirmed with “Continue”.



### Step 4

At the end of commissioning an acceptance report can be produced including all the settings.

# Controls

## Viessmann Vitodens 200-W and 222-F boilers have the added benefit of advanced control technology.

Viessmann controls are easy to install, maintain and operate and benefit from fault logging and diagnostic systems. They switch easily between Winter and Summer settings and some models have useful short cuts, including holiday, party and economy settings. All Vitodens boilers will operate with external controls, Viessmann and non Viessmann.

### Lambda Pro Plus Control

The Lambda Pro Plus control ensures the Vitodens 200 series can achieve a 1:17 modulation level with the highest flame stability for notably reduced fuel consumption, as well as consistently clean and efficient combustion through automatic matching of gas types and the flue system, where the boiler continually adjusts fan speed to match flame height due to variations in the gas being supplied.

The Lambda Pro Plus is an integral component of the Vitodens 200-W and Vitodens 222-F.

#### Lambda Pro Plus

- \_ Adaptation to gas quality
- \_ Consistently high energy efficiency
- \_ Future security
- \_ Low maintenance costs
- \_ Three year inspection interval

### Weather Compensation

Weather compensation controls are a great, low cost way to make a boiler operate more efficiently. They can save up to 15% of annual fuel bills – that's on top of the big savings that you get from changing to a condensing boiler.

The boiler is connected to a small sensor on the outside of the building. When the temperature changes outside, the boiler responds and starts to increase or decrease the radiator temperature, to compensate. This pro-active mechanism means that people inside the building won't even notice that the temperature outside has changed. These constant small changes also mean that the boiler is

able to operate at the minimum temperature required to keep the rooms warm. This keeps the return temperature as low as possible and a return temperature of 57°C or less means the boiler can condense as it is designed to. Weather compensation maximises the condensing period of the boiler and results in significant fuel savings.

### Convenient operation at your fingertips

The 7 inch touchscreen clearly displays all important data in the form of colourful pictograms and text. The main control functions are immediately accessible via Favourites. Along with clear menu structures, this makes operating the heating system particularly easy and convenient.

### Energy cockpit for smart energy management

Along with the attractive design and the high level of operating convenience, the new display provides comprehensive control of the gas consumption for heating and domestic hot water heating in the form of an energy cockpit. If a solar thermal system is connected, solar yields are also captured and displayed. Colourful histograms also display all data optionally as daily, weekly, monthly or annual values. This enables users to comprehensively control and influence their consumption.

### Heating controls for smart phone

Please refer to:

[www.viessmann.co.uk/en/viessmann-apps/vicare-app.html](http://www.viessmann.co.uk/en/viessmann-apps/vicare-app.html)



Scan here for more information



Weather compensation control features a 7" colour touchscreen with energy cockpit

### Vitotrol 100 control system for Vitodens 100-W and 100-W Compact

#### Thermostat

- Vitotrol 100 room thermostat. Basic room thermostat with switched output (two-point output) (a)
- Vitotrol 100 UTA RF wireless programmable room thermostat. Analogue 24 hour, one channel clock (b)
- Vitotrol 100 UTDB RF2 wireless programmable room thermostat. Digital 7 day, two channel clock with large LCD display and selector for adjusting permanent comfort, permanent set back and frost protection (c)
- Vitotrol 100 open therm. 7 day single channel wired programmable room controller. For use with the Vitodens 050/100/111-W. (e)

#### Timer

- Analogue plug-in clock for operation with Vitotrol 100 room thermostat. Single channel plug-in time switch. Heating program selector switch with switched output for 24 hour programmable heating operation (d)

### Vitotrol 200 RF control system for Vitodens 200-W and 222-F

- Vitotrol 200 RF wireless remote control with LCD display for 1 heating circuit for use with Vitotronic 200
- Repeater (optional signal booster for systems with poor reception)
- Receiver unit that operates up to 3 Vitotrol 200 RF units

### Vitotrol 300-A control system for Vitodens 200-W and 222-F

- Vitotrol 300-A wireless remote control with LCD display for 3 heating circuits for use with Vitotronic 200
- Room temperature sensor (optional)
- Up to 2 remote control units can be connected to the boiler control unit, Vitotronic 200

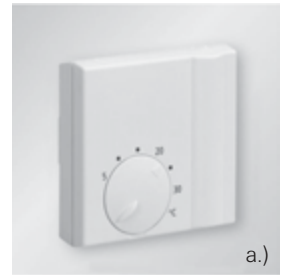
### Vitotronic control systems for Vitodens 200-W and 222-F, with economic energy management for all system sizes

Vitotronic control units think for you – from installation through to operation and maintenance. Whether used in an apartment, a detached home or in large systems, they offer the optimum solution for every need. As digital control systems with communication capability they ensure the economical and reliable operation of your heating system with well thought out electronic management.

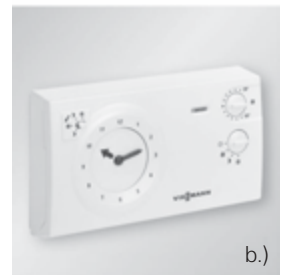
#### One control system for all boilers

All Viessmann boilers, whether wall mounted units, small freestanding boilers or larger boilers – are all controlled by one Vitotronic. That means: common parts throughout the entire boiler range, standardised assembly steps and only a few universal spare parts. This substantially simplifies installation, maintenance and service.

The innovative Viessmann modular design combines the basic chassis and function units to create various control unit versions – in each case matching the boiler and the individual requirements.



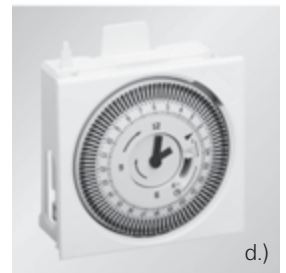
Part no. 7141709



Part no. 7454521



Part no. 7537234

Part no. 7522678 (100/111-W)  
Part no. 7522677 (100-W WB1B)

Part no. 7511618





## The Viessmann Academy

The aim of the Viessmann Academy is to provide knowledge on leading technology to professionals in the heating industry, thereby taking a vital role in the development of skill sets and the establishment of new, innovative technologies in the market place.

The Academy has been a major pillar of the Viessmann philosophy since the 1960s and each year trains more than 90 000 installers across the world.

### Training courses in the United Kingdom

The Viessmann UK Academy is based at the headquarters in Telford, Shropshire, and also has external training locations around the country. Check the online portal for course locations and to book online.

Here, the Viessmann Academy trains installers, merchants, engineers, specifiers and consultants, not only on the current product range but also on many product types and topics.

To book onto on a Viessmann training course, please book online directly using the QR code opposite, or contact your Area Business Manager. To find contact details for your local Area Business Manager visit, [www.viessmann.co.uk](http://www.viessmann.co.uk)



Scan here  
to book online

## Viessmann Academy course offer



### Domestic boiler courses

Gas-fired Combination and System boilers Vitodens 100 and 050 range, including 050-W, 100-W and 111-W  
Gas-fired Vitodens 200 range, including 200-W and 222-F, and Vitotronic controls



### Commercial boiler courses

Gas-fired commercial System boiler Vitodens 200-W  
Combined heat and power (CHP)  
Control technology including cascade controls

### CPD courses on request (CIBSE Accredited)

District heating schemes  
Combined heat and power (CHP)  
System design for high and low water content boilers



### Solar courses

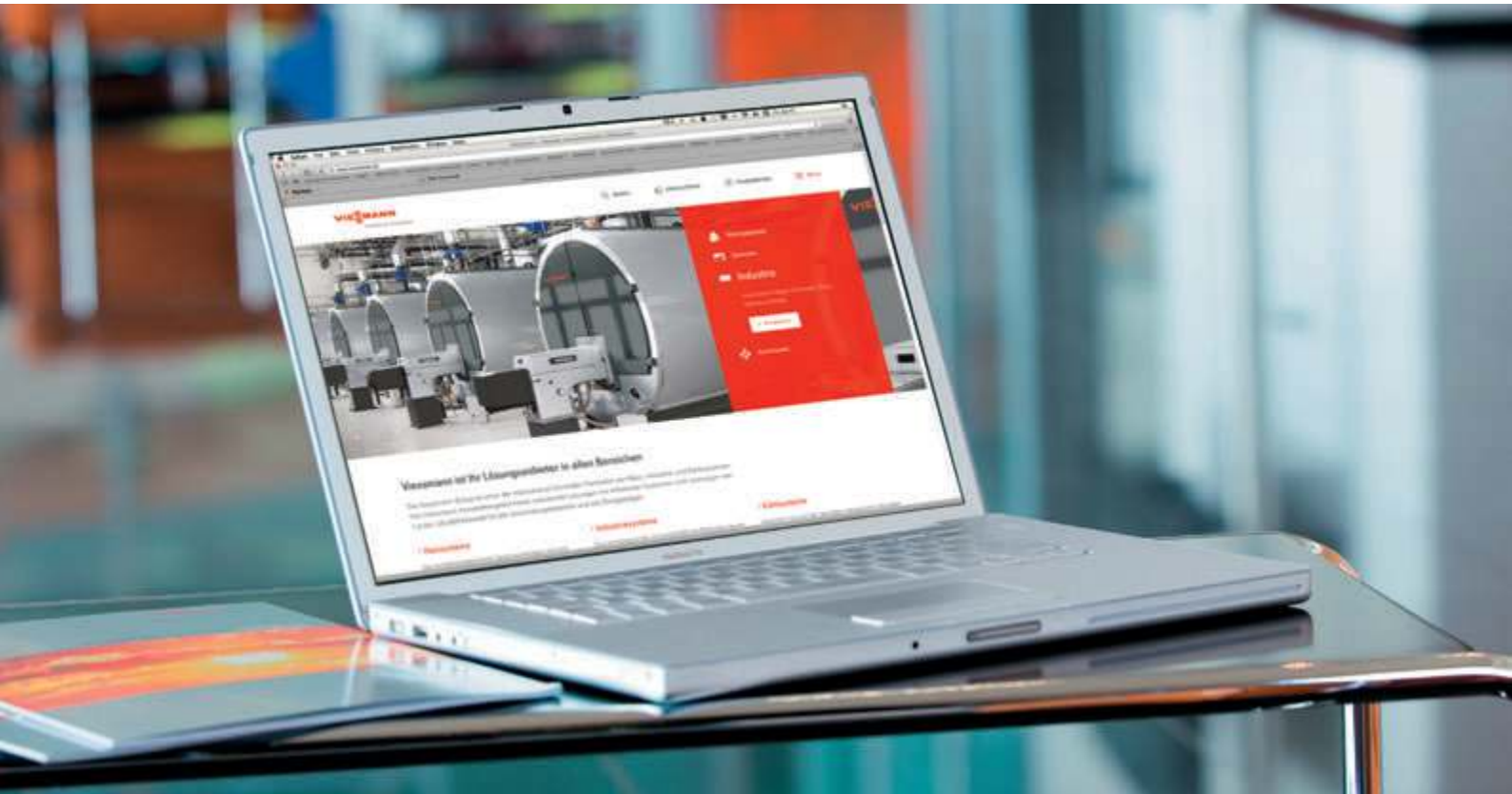
Practical solar thermal course



### Heat pump courses

Introduction to heat pumps  
Vitocal 200 range including ground source and air source  
Vitocal 100-A range





## Contact us

Viessmann Ltd, Hortonwood 30, Telford, Shropshire, TF1 7YP

Telephone **01952 675000**  
Fax **01952 675040**  
Email **info-uk@viessmann.com**

### Sales

Telephone – Domestic **01952 675010**  
Email **domsales-uk@viessmann.com**  
Telephone – Commercial **01952 675090**  
Email **comsales-uk@viessmann.com**  
Fax **01952 678600**

### Training Academy

Telephone **01952 675032**  
Email **academy-uk@viessmann.com**

### Technical helpline

Telephone **01952 675070**  
Email **technical-uk@viessmann.com**

### ErP advice

Email **erp-advice@viessmann.com**

### After sales

Telephone **01952 675060**  
Email **aftersales-uk@viessmann.com**

### Spares

Telephone **01952 675013**  
Email **spares-uk@viessmann.com**

### Online

Register online for engineer service requests and warranties **www.viessmann.co.uk**



Scan here  
to book online



Scan here  
for technical documents



Scan here  
for ErP calculator



Scan here  
for Spares App

# The company

Viessmann is a leading international manufacturer of efficient energy systems.

## The Viessmann comprehensive range

As environmental pioneer and technological trailblazer for the heating sector, Viessmann has for decades been supplying exceptionally clean and eCcient systems for heating, refrigeration and decentralised power generation. Many of the company's developments are recognised as heating equipment milestones.

## Sustainability in action

As a family business Viessmann takes the long view and places great value on acting responsibly; sustainability is firmly enshrined in the company's principles. For Viessmann, sustainability in action means striking a balance between economy, ecology and social responsibility throughout the company; meeting current needs without compromising the quality of life of future generations.

With its strategic sustainability project, Viessmann demonstrates at its own head office in Allendorf (Eder) that the energy and climate policy goals set by the German government for 2050 can in fact be achieved today with the help of commercially available technology.

## Milestones of heating technology

As an environmental pioneer and technological trailblazer for the heating sector, Viessmann has been supplying exceptionally clean and efficient systems for heating, refrigeration and decentralised power generation for decades. Many of the company's developments are recognised as heating equipment milestones.

## Practical partnership

As part of its comprehensive range, Viessmann also offers a wide selection of complementary services. These services include a comprehensive training and further development programme for trade partners at the well equipped training facilities of the Viessmann Academy.

With its new digital services, Viessmann offers innovative solutions such as the operation and monitoring of heating systems by smartphone. Users benefit from greater reassurance and convenience, whilst contractors can keep a constant eye on the systems for which they are responsible.



MatrixX-Plus burner



Number 1 Trade Partner for the 15th consecutive time



We create living spaces for generations to come.

## Viessmann group in figures

- 1917 — Viessmann was founded
- 12,000 — employees
- 2.5 — Group turnover in billions of euros
- 54 — export share in percent
- 23 — production companies in
- 12 — countries
- 120 — sales offices worldwide
- 74 — countries with agents and sales companies

## Viessmann comprehensive range

- Boilers for oil or gas
- Combined heat and power generation
- Hybrid appliances
- Heat pumps
- Wood combustion technology
- Biogas production plants
- Biogas upgrading plants
- Solar Thermal
- Photovoltaic
- Electric heating/DHW systems
- Refrigeration systems
- Accessories

# Vitodens technical specification

		Vitodens 100-W						
Appliance		System B1HC				Combi B1KC		
Model	Unit	19	26	30	35	26	30	35
<b>Rated CH Output</b>								
At Tf/Tr 50/30 °C (condensing)	KW	4.7 – 19	4.7 – 26	5.8 – 30	5.8 – 35	4.7 – 26	5.8 – 30	5.8 – 35
At Tf/Tr 80/60 °C (non-condensing)	KW	4.3 - 17.4	4.3 - 23.8	5.3 - 27.3	5.3 - 32	4.7 - 23.8	5.3 - 27.3	5.3 - 32
Rated central heating input (net)	KW	6.1 - 17.8	6.1 - 27.1	8.2 - 31.3	8.2 - 36.5	6.1 - 17.8	8.2 - 31.3	8.2 - 36.5
Domestic hot water output range	KW	n/a	n/a	n/a	n/a	5.9 - 26	8.0 - 30	8.0 - 35
DHW heating efficiency (ErP)	%	n/a	n/a	n/a	n/a	82	81	81
DHW heating energy efficiency		n/a	n/a	n/a	n/a	A	A	A
Max. nat gas rate (CH mode)	m3/h	1.9	2.6	3	3.5	2.6	3	3.5
Max LPG	kg/H	1.4	1.9	2.2	2.6	1.9	2.2	2.6
<b>Gas supply pressure</b>								
Natural gas		20	20	20	20	20	20	20
LPG		37	37	37	37	37	37	37
<b>Max permissible gas supply pressure</b>								
Natural gas		25	25	25	25	25	25	25
LPG		45	45	45	45	45	45	45
<b>Efficiency (SEDBUK 2012)</b>								
Full Load	100%	97.92	97.95	98.02	97.91	97.95	98.02	97.91
Part Load	30%	108.7	108.6	108.2	109.3	108.6	108.2	109.3
Seasonal efficiency (SEDBUK 2012)		89.2	89.2	89	89.4	89.1	88.9	89.3
<b>ErP Efficiency</b>								
Heating seasonal efficiency (ErP)	%	94	94	94	94	94	94	94
Energy efficiency class (ErP)		A	A	A	A	A	A	A
NOx classification	class				6 (<24 mg/kWh)			
Noise (sound power level)		48 dB	49 dB	49 dB	48 dB	49 dB	49 dB	48 dB
<b>DHW/CH</b>								
DHW performance @ 35°C temp. rise	l/min	n/a	n/a	n/a	n/a	10	12	14
DHW temp. range	°C	n/a	n/a	n/a	n/a	30-60	30-60	30-60
Maximum mains water inlet pressure	bar	n/a	n/a	n/a	n/a	10	10	10
Minimum mains water inlet pressure for max DHW heat output	bar	n/a	n/a	n/a	n/a	0.5	0.5	0.5
Minimum mains water inlet pressure for operation	bar	n/a	n/a	n/a	n/a	0.5	0.5	0.5
Minimum DHW flow rate for operation	l/min	n/a	n/a	n/a	n/a	0.5	0.5	0.5
Minimum CH system pressure - cold	bar	0.5	0.5	0.5	0.5	0.5	0.5	0.5
Maximum CH system pressure - hot	bar	3	3	3	3	3	3	3
Cylinder capacity		n/a	n/a	n/a	n/a	n/a	n/a	n/a
CH flow temp. range	°C	30-80	30-80	30-80	30-80	30-80	30-80	30-80
<b>General specification</b>								
Integral expansion vessel capacity	ltr	8	8	8	8	8	8	8
Integral expansion vessel pre-charge pressure	bar	0.75	0.75	0.75	0.75	0.75	0.75	0.75
Total water capacity	ltr	2.8	2.8	3.4	3.4	2.8	3.4	3.4
Lift weight	kg	35	36	37	37	36	38	38
Total weight (including packaging) Kg	kg	37	38	39	39	38	40	40
Electricity supply		230v 50 HZ	230v 50 HZ	230v 50 HZ	230v 50 HZ	230v 50 HZ	230v 50 HZ	230v 50 HZ
Internal fuse	A	2.5	2.5	2.5	2.5	2.5	2.5	2.5
Maximum power consumption	W	84	92	98	108	97	105	119
Water protect rating		IP X4	IP X4	IP X4	IP X4	IP X4	IP X4	IP X4
Flue temp. @ 50/30 - max CH output	°C	45	45	45	45	45	45	45
Flue temp. @ 50/30 - min CH output	°C	35	35	35	35	35	35	35
Flue temp. @ 80/60 - max CH output	°C	68	68	68	69	68	68	70
Flue products mass flow rate - NG - max CH output	kg/h	30.1	41.1	49.0	56.9	41.1	49.0	56.9
Flue products mass flow rate - NG - min CH output	kg/h	14.6	14.6	17.6	17.6	14.6	17.6	17.6
Flue products mass flow rate - LPG - max CH output	kg/h	34	46.4	54.0	62	46.4	54.0	62.0
Flue products mass flow rate - LPG - min CH output	kg/h	15.9	15.9	19.4	19.4	15.9	19.4	19.4
Max. gas pressure NG	mbar	20 - 25	20 - 25	20 - 25	20 - 25	20 - 25	20 - 25	20 - 25
Gas Council number		41-819-36	41-819-37	41-819-38	41-819-39	47-819-33	47-819-34	47-819-35
Product ID					CE-0063 CQ3356			
<b>Dimensions/Connections</b>								
Inner flue duct diameter	mm	60	60	60	60	60	60	60
Outer flue duct diameter	mm	100	100	100	100	100	100	100
Boiler dimensions (height x width x depth)	mm				700 x 400 x 350			
DHW outlet & mains cold inlet		n/a	n/a	n/a	n/a	15	15	15
CH flow & return	mm	22	22	22	22	22	22	22
Condensate	mm	22	22	22	22	22	22	22
Gas	mm	22	22	22	22	22	22	22
PRV outlet	mm	n/a	n/a	n/a	n/a	n/a	n/a	n/a
Max horizontal flue length	m	19	13.5	13.5	17	13.5	13.5	17
Max vertical flue length	m	19	13.5	13.5	17	13.5	13.5	17

	Vitodens 100-W Compact WB1B				Vitodens 050-W BPJD	
	Open Vent				Combi	
13	16	19	26	35	29	35
7.9-13	7.9-16	7.9-19	7.9-26	11.0-35	6.5-24	8.8-33
7.2-11.9	7.2-14.6	7.2-17.3	7.2-23.7	10.0-31.9	5.9-21.9	8.0-30.1
7.4-12.2	7.4-15.0	7.4-17.8	7.4-24.3	10.3-32.7	6.1-22.4	8.2-30.9
n/a	n/a	n/a	n/a	n/a	5.9-29	8.0-35
n/a	n/a	n/a	n/a	n/a	80	78
n/a	n/a	n/a	n/a	n/a	A	A
1.3	1.6	1.9	2.6	3.5	2.37	3.28
0.9	1.1	1.4	1.9	2.6	1.71	2.36
20	20	20	20	20	20	20
37	37	37	37	37	37	37
25	25	25	25	24	25	25
45	45	45	45	45	45	45
97.7	97.8	97.7	97.7	98.0	97.4	97.5
108.4	108.4	108.4	108.4	109.0	108.8	108.7
89	89.1	89	89.3	88.7	89	89
94	94	94	94	94	93	93
A	A	A	A	A	A	A
		6 (<24 mg/kWh)			6 (<24 mg/kWh)	
48 dB	48 dB	49 dB	49 dB	50 dB	45 dB	48 dB
n/a	n/a	n/a	n/a	n/a	12	14
n/a	n/a	n/a	n/a	n/a	30-60	30-60
n/a	n/a	n/a	n/a	n/a	10	10
n/a	n/a	n/a	n/a	n/a	1	1
n/a	n/a	n/a	n/a	n/a	0.1	0.1
n/a	n/a	n/a	n/a	n/a	2.1	2.1
n/a	n/a	n/a	n/a	n/a	0.8	0.8
n/a	n/a	n/a	n/a	n/a	3	3
n/a	n/a	n/a	n/a	n/a	n/a	n/a
30-75	30-75	30-75	30-75	30-75	30-80	30-80
n/a	n/a	n/a	n/a	n/a	8	8
n/a	n/a	n/a	n/a	n/a	0.75	0.75
3.1	3.1	3.1	3.1	3.1	2.2	2.9
25	25	25	25	25	37	39
30	30	30	30	30	39	41
230v 50 HZ	230v, 50 HZ	230v, 50 HZ	230v, 50 HZ	230v, 50 HZ	230v, 50 HZ	230v, 50 HZ
2.5	2.5	2.5	2.5	2.5	2.5	2.5
45	50	55	60	65	118	142
IP X4	IP X4	IP X4	IP X4	IP X4	IP X4	IP X4
45	45	45	45	45	45	45
35	35	35	35	35	35	35
68	68	68	69	69	68	68
n/a	n/a	n/a	n/a	n/a	n/a	n/a
n/a	n/a	n/a	n/a	n/a	n/a	n/a
n/a	n/a	n/a	n/a	n/a	n/a	n/a
n/a	n/a	n/a	n/a	n/a	n/a	n/a
20-25	20-25	20-25	20-25	20-25	25	25
41-819-21	41-819-22	41-819-23	41-819-24	41-819-25	47-819-31	47-819-32
	CE- 0085 BT0029				CE-0063 CS3199	
60	60	60	60	60	60	60
100	100	100	100	100	100	100
	600 x 375 x 285			600 x 375 x 340		707 x 400 x 350
n/a	n/a	n/a	n/a	n/a	15	15
n/a	n/a	n/a	n/a	n/a	15	15
22	22	22	22	22	22	22
22	22	22	22	22	22	22
15	15	15	15	15	n/a	n/a
8	8	8	8	8	15	20
10	10	10	10	10	15	20

# Vitodens technical specification

		Vitodens 200-W					
Appliance		System B2HE				Combi B2KE	
Model	Unit	11	19	25	32	30	35
<b>Rated CH Output</b>							
At Tf/Tr 50/30 °C (condensing)	KW	1.9-11.0	1.9-19.0	1.9-25.0	1.9-32.0	1.9-25.4	1.9-32.0
At Tf/Tr 80/60 °C (non-condensing)	KW	1.7-10-1	1.7-17.4	1.7-22.9	1.7-29.3	4.7-27.8	1.6-32.5
Rated central heating input (net)	KW	1.8-17.9	2.5-24.7	4.9-28.5	4.9-33.0	4.9-28.5	4.9-33.0
Domestic hot water output range	KW	n/a	n/a	n/a	n/a	4.7-30.5	4.7-34.0
DHW heating efficiency (ErP)	%	n/a	n/a	n/a	n/a	81	81
DHW heating energy efficiency		n/a	n/a	n/a	n/a	A	A
Max. nat gas rate (CH mode)	m3/h	1.88	1.88	2.48	3.16	3.35	3.69
Max. LPG gas rate	kg/H	1.38	1.38	1.82	2.32	2.46	2.71
<b>Gas supply pressure</b>							
Natural gas		20	20	20	20	20	20
LPG		50	50	50	50	50	50
<b>Max permissible gas supply pressure</b>							
Natural gas		25	25	25	25	25	25
LPG		45	45	45	45	45	45
<b>Efficiency (SEDBUK 2009 / 2012)</b>							
Full Load	100%	97.53	97.95	97.91	97.72	97.91	97.72
Part Load	30%	108.5	108.5	108.6	108.8	108.6	108.8
Seasonal efficiency (SEDBUK 2009 / 2012)		89	89.1	89.1	89.2	89	89.1
<b>ErP Efficiency</b>							
Heating seasonal efficiency (ErP)	%	92	93	94	94	94	94
Energy efficiency class (ErP)		A	A	A	A	A	A
NOx classification	class			6 (<24 mg/kWh)			
Noise (sound power level)		41 dB	41 dB	42 dB	47 dB	46 dB	47 dB
<b>DHW/CH</b>							
DHW performance @ 35°C temp. rise	l/min	n/a	n/a	n/a	n/a	12.3	14.3
DHW temp. range	°C	n/a	n/a	n/a	n/a	30-60	30-60
Maximum mains water inlet pressure	bar	n/a	n/a	n/a	n/a	10	10
Minimum mains water inlet pressure for max DHW heat output	bar	n/a	n/a	n/a	n/a	1	1
Minimum mains water inlet pressure for operation	bar	n/a	n/a	n/a	n/a	0.3	0.3
Minimum DHW flow rate for operation	l/min	n/a	n/a	n/a	n/a	3	3
Minimum CH system pressure - cold	bar	0.5	0.5	0.5	0.5	0.5	0.5
Maximum CH system pressure - hot	bar	3	3	3	3	3	3
Cylinder capacity		n/a	n/a	n/a	n/a	n/a	n/a
CH flow temp. range	°C	30-82	30-82	30-82	30-82	30-82	30-82
<b>General specification</b>							
Integral expansion vessel capacity	ltr	10	10	10	10	10	10
Integral expansion vessel pre-charge pressure	bar	0.75	0.75	0.75	0.75	0.75	0.75
Total water capacity excl expansion vessel	ltr	3.0	3.0	3.0	3.0	3.0	3.0
Lift weight	kg	33	33	33	33	34.5	34.5
Total weight (including packaging) Kg	kg	48	50	52	52	53	53
Electricity supply		230v 50 Hz	230v 50 Hz	230v 50 Hz	230v 50 Hz	230v 50 Hz	230v 50 Hz
Internal fuse	A	6.3	6.3	6.3	6.3	6.3	6.3
Maximum power consumption	W	37	47	68	92	68	92
Water protect rating		IPX4	IPX4	IPX4	IPX4	IPX4	IPX4
Flue temp. @ 50/30 - max CH output	°C	39	41	46	59	46	59
Flue temp. @ 50/30 - min CH output	°C	38	38	38	38	38	38
Flue temp. @ 80/60 - max CH output	°C	64	65	67	72	74	77
Flue products mass flow rate - NG - max CH output	kg/h	31.7	31.7	41.6	64.9	57.3	62.1
Flue products mass flow rate - NG - min CH output	kg/h	3.2	3.2	3.2	3.2	3.2	3.2
Flue products mass flow rate - LPG - max CH output	kg/h	30.1	40.1	41	53.9	57.1	61.1
Flue products mass flow rate - LPG - min CH output	kg/h	3.9	3.9	3.9	3.9	3.9	3.9
Max. gas pressure NG	mbar	20-25	20-25	20-25	20-25	20-25	20-25
Gas Council number		41-819-32	41-819-33	41-819-34	41-819-35	47-819-29	47-819-30
Product ID		CE-0085 CT0017					
<b>Dimensions/Connections</b>							
Inner flue duct diameter	mm	60	60	60	60	60	60
Outer flue duct diameter	mm	100	100	100	100	100	100
Boiler dimensions (height x width x depth)	mm	700 x 450 x 365					
DHW outlet & mains cold inlet		n/a	n/a	n/a	n/a	1/2" bsp	1/2" bsp
CH flow & return	bsp/mm	3/4" bsp	3/4" bsp	3/4" bsp	3/4" bsp	3/4" bsp	3/4" bsp
Condensate	mm	22	22	22	22	22	22
Gas	mm	22	22	22	22	22	22
PRV outlet	mm	15	15	15	15	15	15
Max horizontal flue length	m	10	10	10	10	10	10
Max vertical flue length	m	10	10	10	10	10	10

Vitodens 111W B1LD		Vitodens 222-F B2TE		
Storage Combi		Storage Combi		
26	35	19	25	32
4.7-26	5.8-35	1.9-19	1.9-25	1.9-32
4.3-23.8	5.3-32	1.7-17.4	1.7-22.9	1.7-29.3
6.1-30.5	8.2-36.5	1.8-22.7	1.8-29.5	1.8-34.9
4.3-29.6	5.3-34	1.7-21.8	1.7-28.3	1.7-33.5
80	77	80	78	77
A	B	A	A	A
3.23	3.86	1.89	3.23	3.69
2.39	2.86	1.4	2.38	2.73
20	20	20	20	20
37	37	50	50	50
25	25	25	25	25
45	45	57.5	57.5	57.5
97.95	97.91	97.53	97.95	97.73
108.6	109.3	108.5	108.5	108.8
89.5	89.7	89.3	89.4	89.5
94	94	92	92	92
A	A	A	A	A
49 dB	49 dB	47 dB	6 (<24 mg/kWh) 49 dB	52 dB
18	18	18	20	20
30-60	30-60	30-60	30-60	30-60
10	10	10	10	10
1	1	>0.1	>0.1	>0.1
0.1	0.1	0.1	0.1	0.1
0.5	0.5	0.1	0.1	0.1
0.5	0.5	0.5	0.5	0.5
3	3	3	3	3
46	46	100	100	130
30-80	30-80	30-82	30-82	30-82
8	8	18	18	18
0.75	0.75	0.75	0.75	0.75
2.8	2.8	3.0	3.0	3.0
62	64	111.5	111.5	111.5
67	69	109	152	167
230v, 50 Hz	230v, 50 Hz	230v, 50 Hz	230v, 50 Hz	230v, 50 Hz
2.5	2.5	6.3	6.3	6.3
141	153	54	68	110
IPX4	IPX4	IPX4	IPX4	IPX4
45	45	41	46	49
35	35	38	38	38
65	68	67	72	72
47.3	63.2	40.4	54.2	62.1
11.8	15.7	3.2	3.2	3.2
46.4	68.2	39.8	53.2	61.1
11.5	15.4	3.9	3.9	3.9
25	25	20-25	20-25	20-25
47-819-24	47-819-25	47-819-15	47-819-16	47-819-17
CE-0085 BT0029			CE-0085 CT0017	
60	60	60	60	60
100	100	100	100	100
900 x 600 x 480			1400 x 600 x 595	
15 mm	15 mm	1/2" bsp	1/2" bsp	1/2" bsp
22 mm	22 mm	3/4" bsp	3/4" bsp	3/4" bsp
22	22	22	22	22
22	22	22	22	22
n/a	n/a	n/a	n/a	n/a
13.5	17	10	10	10
13.5	17	10	10	10

Viessmann Limited  
Hortonwood 30, Telford  
Shropshire, TF1 7YP  
Tel: 01952 675000  
Fax: 01952 675040  
**[www.viessmann.co.uk](http://www.viessmann.co.uk)**

Your trade partner: